

DVD PLAYER

DV-C6860

SERVICE MANUAL

For U model

IMPORTANT NOTICE

This manual has been provided for the use of authorized YAMAHA Retailers and their service personnel. It has been assumed that basic service procedures inherent to the industry, and more specifically YAMAHA Products, are already known and understood by the users, and have therefore not been restated.

WARNING: Failure to follow appropriate service and safety procedures when servicing this product may result in personal injury, destruction of expensive components, and failure of the product to perform as specified. For these reasons, we advise all YAMAHA product owners that any service required should be performed by an authorized YAMAHA Retailer or the appointed service representative.

IMPORTANT: The presentation or sale of this manual to any individual or firm does not constitute authorization, certification or recognition of any applicable technical capabilities, or establish a principle-agent relationship of any form.

The data provided is believed to be accurate and applicable to the unit(s) indicated on the cover. The research, engineering, and service departments of YAMAHA are continually striving to improve YAMAHA products. Modifications are, therefore, inevitable and specifications are subject to change without notice or obligation to retrofit. Should any discrepancy appear to exist, please contact the distributor's Service Division.

WARNING: Static discharges can destroy expensive components. Discharge any static electricity your body may have accumulated by grounding yourself to the ground buss in the unit (heavy gauge black wires connect to this buss).

IMPORTANT: Turn the unit OFF during disassembly and part replacement. Recheck all work before you apply power to the unit.

■ CONTENTS

TO SERVICE PERSONNEL	2-3
PREVENTION OF ELECTROSTATIC DISCHARGE ...	4
LOCALE MANAGEMENT INFORMATION	4
FRONT PANEL	5
REAR PANEL	5
REMOTE CONTROL	5
SPECIFICATIONS	6
DIMENSIONS	7
INTERNAL VIEW	7
REPAIR NOTES	8

DISASSEMBLY PROCEDURES	9-10
BLOCK DIAGRAM	11
PRINTED CIRCUIT BOARDS	12-21
SCHEMATIC DIAGRAMS	22-30
REPLACEMENT PARTS LIST	31-32



このサービスマニュアルは、エコマーク認定の再生紙を使用しています。
This Service Manual uses recycled paper.

101004

© 2006 YAMAHA CORPORATION All rights reserved.
This manual is copyrighted by YAMAHA and may not be copied or
redistributed either in print or electronically without permission.



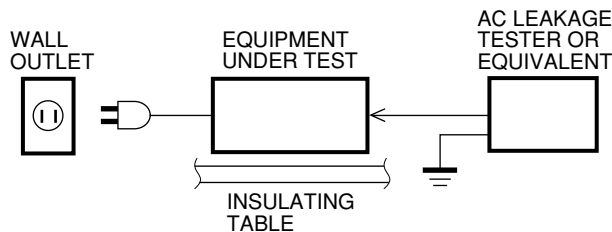
YAMAHA
YAMAHA CORPORATION
P.O.Box 1, Hamamatsu, Japan

UP VIDEO '06. 02

DV-C6860

■ TO SERVICE PERSONNEL

1. Critical Components Information
Components having special characteristics are marked \triangle and must be replaced with parts having specifications equal to those originally installed.
2. Leakage Current Measurement (For 120V Models Only)
When service has been completed, it is imperative to verify that all exposed conductive surfaces are properly insulated from supply circuits.
 - Meter impedance should be equivalent to 1500 ohms shunted by 0.15 μ F.



- Leakage current must not exceed 0.5mA.
- Be sure to test for leakage with the AC plug in both polarities.

WARNING: CHEMICAL CONTENT NOTICE!

The solder used in the production of this product contains LEAD. In addition, other electrical/electronic and/or plastic (where applicable) components may also contain traces of chemicals found by the California Health and Welfare Agency (and possibly other entities) to cause cancer and/or birth defects or other reproductive harm.

DO NOT PLACE SOLDER, ELECTRICAL/ELECTRONIC OR PLASTIC COMPONENTS IN YOUR MOUTH FOR ANY REASON WHATSOEVER!

Avoid prolonged, unprotected contact between solder and your skin! When soldering, do not inhale solder fumes or expose eyes to solder/flux vapor!

If you come in contact with solder or components located inside the enclosure of this product, wash your hands before handling food.

WARNING: Laser Safety

This product contains a laser beam component. This component may emit invisible, as well as visible radiation, which may cause eye damage. To protect your eyes and skin from laser radiation, the following pre-cautions must be used during servicing of the unit.

- 1) When testing and/or repairing any component within the product, keep your eyes and skin more than 30 cm away from the laser pick-up unit at all times. Do not stare at the laser beam at any time.
- 2) Do not attempt to readjust, disassemble or repair the laser pick-up, unless noted elsewhere in this manual.
- 3) CAUTION : Use of controls, adjustments or performance of procedures other than those specified herein may result in hazardous radiation exposure.

Laser Emitting conditions:

- 1) When the Top Cover is removed, and the STANDBY/ ON SW is turned to the "ON" position, the laser component will emit a beam for several seconds to detect if a disc is present. During this time (5–10 sec.) the laser may radiate through the lens of the laser pick-up unit. Do not attempt any servicing during this period! If no disc is detected, the laser will stop emitting the beam. When a disc is loaded, you will not be exposed to any laser emissions.
- 2) The laser power level can be adjusted with the VR on the pick-up PWB, however, this level has been set by the factory prior to shipping from the factory. Do not adjust this laser level control unless instruction is provided elsewhere in this manual. Adjustment of this control can increase the laser emission level from the device.

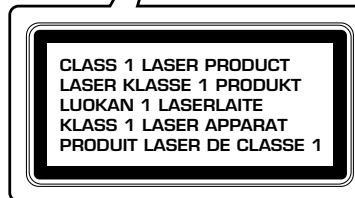
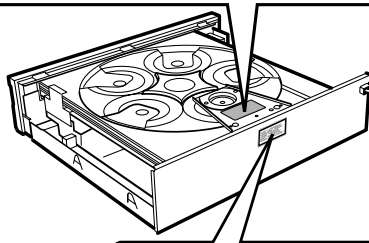
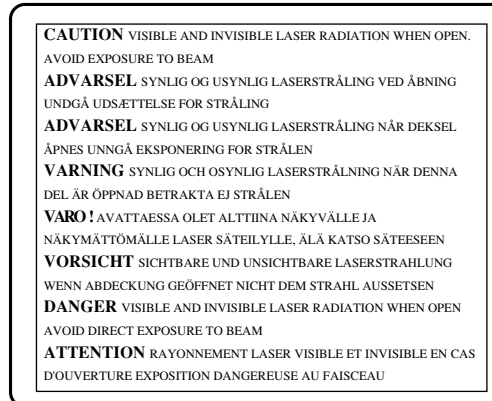
Laser Diode Properties

Type:	Semiconductor laser GaAlAs
Wave length:	650 nm (DVD) 780 nm (VCD/CD)
Output Power:	7 mW (DVD/VCD/CD)
Beam divergence	60 degree

VARO! :	AVATTAESSA JA SUOJALUKITUS OHITETTAESSA OLET ALTTIINA NÄKYMÄTTÖMÄLLE LASER-SÄTEILYLLE. ÄLÄ KATSO SÄTEESEEN.
WARNING! :	OSYNLIG LASERSTRÅLNING NÄR DENNA DEL ÄR ÖPPNAD OCH SPÄRREN ÄR URKOPPLAD. BETRAKTA EJ STRÅLEN.

WARNING

The use of optical instruments with this product will increase eye hazard.
Repair handling should take place as much as possible with a disc loaded inside the player.



Warning for power supply

The primary side of the power supply carries live mains voltage when the player is connected to the mains even when the player is switched off !

This primary area is not shielded so it is possible to touch copper tracks and/or components when servicing the player.
Service personnel have to take precautions to prevent touching this area or components in this area.

Note:

The screws on the DVD mechanism may never be touched, removed or re-adjusted.

Handle the DVD mechanism with care when the unit has to be exchanged!

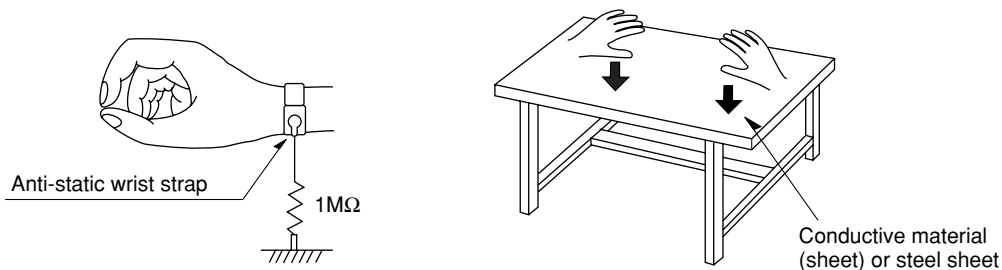
The DVD mechanism is very sensitive for dropping or giving shocks.

■ PREVENTION OF ELECTROSTATIC DISCHARGE

The laser diode in the DVD mechanism may be damaged due to static electricity from clothes or the human body. Use caution to prevent electrostatic damage when servicing or handling the DVD-mechanism.

1. Grounding for electrostatic damage prevention

1. Worktable grounding
Put a grounded conductive material (sheet) or iron sheet on the area where the optical pickup is placed.
2. Human body grounding
Use an anti-static wrist strap to discharge the static electricity from your body.



2. Handling of the optical pickup

1. To prevent damage to the optical pickup replacement parts during transportation and before installation, both ends of the laser diode are short-circuited. After installing the new part, remove the short circuit according to the correct procedure in this service manual.
2. Do not use a tester to check the laser diode in the optical pickup. The power supply in the tester will damage the laser diode.

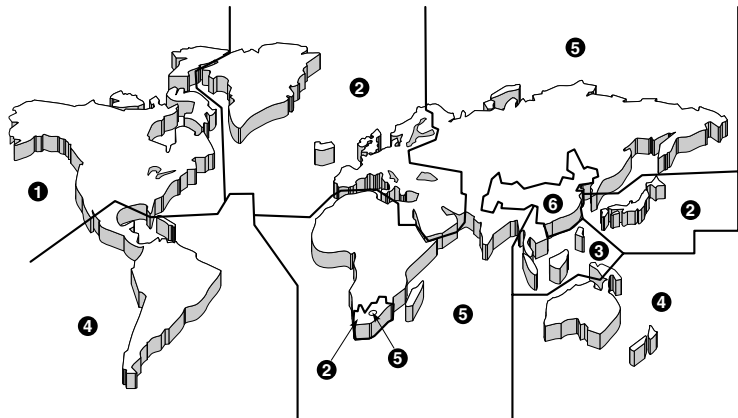
3. Handling Precautions for the Traverse Unit (Optical Pickup)

1. Handle the traverse unit (optical pickup) gently, as it is an extremely high-precision assembly.
2. The flexible cable lines may break if an excessive force is applied to it. Use caution when handling the cable.
3. The semi-fixed resistor for laser power adjustment should not be adjusted. Do not turn the resistor.

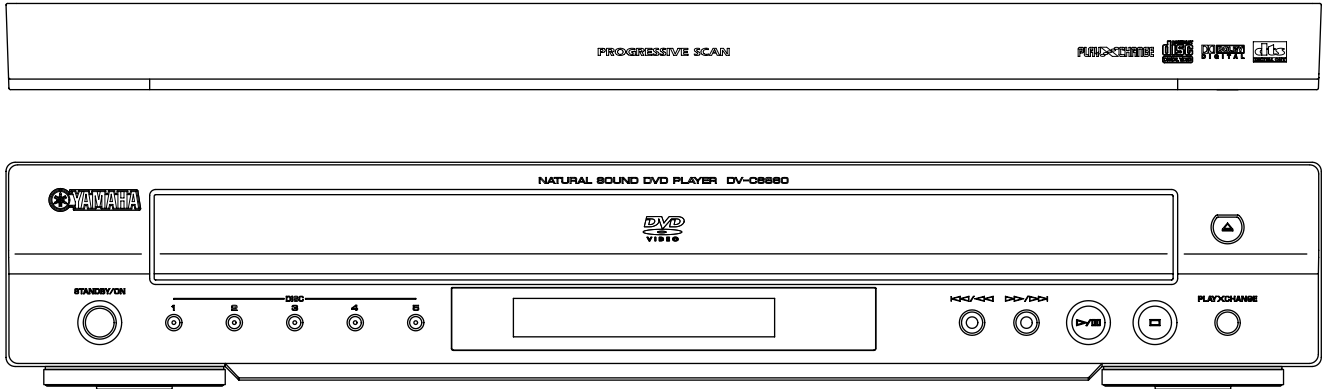
■ LOCALE MANAGEMENT INFORMATION

Locale Management Information : This DVD player is designed and manufactured to respond to the Locale Management Information that is recorded on a DVD disc. If the Locale number described on the DVD disc does not correspond to the Locale number of this DVD player, this DVD player cannot play this disc.

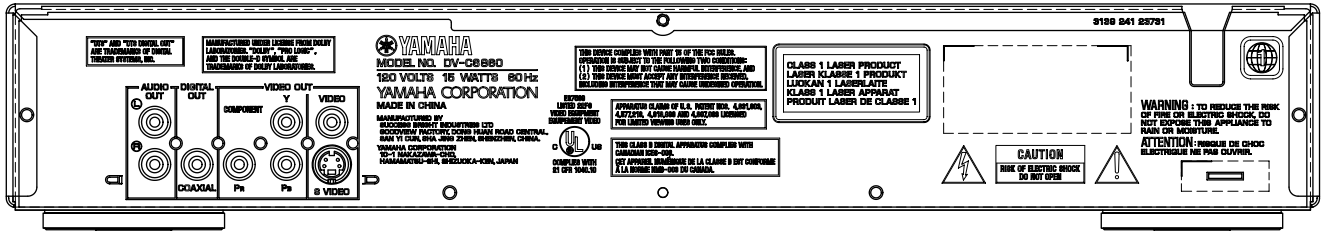
This product incorporates copyright protection technology that is protected by method claims of certain U.S. patents and other intellectual property rights owned by Macrovision Corporation and other rights owners. Use of this copyright protection technology must be authorized by Macrovision Corporation, and is intended for home and other limited viewing uses only unless otherwise authorized by Macrovision Corporation. Reverse engineering or disassembly is prohibited.



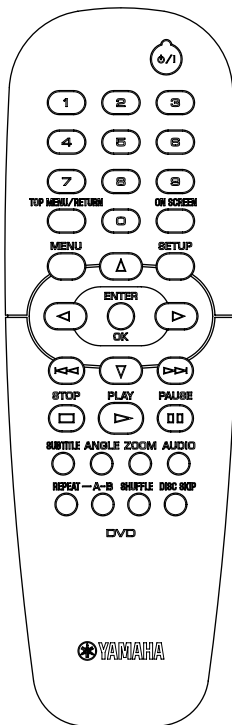
FRONT PANEL



REAR PANEL



REMOTE CONTROL



DV-C6860

■ SPECIFICATIONS

● PLAYBACK SYSTEM

DVD-Video
 Video CD & SVCD
 CD
 PICTURE CD
 CD-R, CD-RW
 DVD+R, DVD+RW
 DVD-R, DVD-RW

● VIDEO PERFORMANCE

Video (CVBS) output 1 Vpp into 75 ohms
 S-Video output Y: 1 Vpp into 75 ohms
 C: 0.3 Vpp into 75 ohms
 Component video output Y: 1 Vpp into 75 ohms
 P_B/C_B P_R/C_R:
 0.7 Vpp into 75 ohms
 Black level shift On/Off

● TV STANDARD (PAL/50 Hz) (NTSC/60 Hz)

Number of lines 625 525
 Playback Multistandard (PAL/NTSC)

● AUDIO FORMAT

Digital Mpeg/ Dolby Digital/ Compressed Digital
 DTS
 PCM 16, 20, 24 bits
 fs, 44.1, 48, 96 kHz
 MP3(ISO 9660) 24, 32, 56, 64, 96, 128,
 256 kbps
 fs, 16, 22.05, 24, 32, 44.1,
 48 kHz
 WMA 32–192 kbps, mono, stereo
 Analog Sound Stereo

● AUDIO PERFORMANCE

DA Converter 24 bit
 Signal-Noise (1 kHz) 115 dB
 Dynamic range (1 kHz) 100 dB
 DVD fs 96 kHz 2 Hz- 44 kHz
 fs 48 kHz 2 Hz- 22 kHz
 SVCD fs 48 kHz 2 Hz- 22 kHz

fs 44.1 kHz 2 Hz- 20 kHz
 CD/VCD fs 44.1 kHz 2 Hz- 20 kHz
 Distortion and Noise (1 kHz) 0.0035%

● CONNECTIONS

Y output Cinch (green)
 P_B/C_B output Cinch (blue)
 P_R/C_R output Cinch (red)
 S-Video output Mini DIN, 4 pins
 Video output Cinch
 Audio output (L+R) Cinch
 Digital output 1 coaxial
 IEC60958 for CDDA / LPCM
 IEC61937 for MPEG 1/2,
 Dolby Digital and DTS

● GENERAL

Dimensions (w x h x d) 435 x 75 x 425 mm
 (17-1/8" x 3" x 16-3/4")
 Weight Approx. 5.5 Kg (12 lbs 2 oz)
 Finish
 Black color U model
 Silver color U model
 Power Supply
 Power inlet U model 120 V, 60 Hz
 Power usage Approx. 15 W
 Power usage standby < 1 W

● ACCESSORIES

Remote control x1
 Batteries x 2
 Audio/video cable x1

* Specifications subject to change without notice.



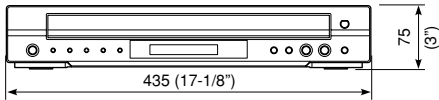
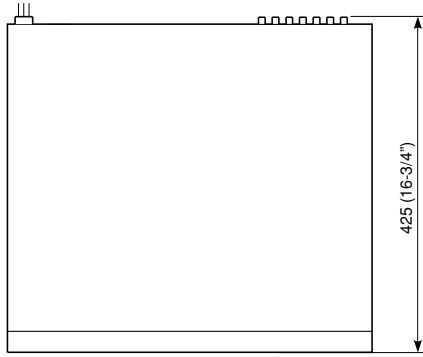
Manufactured under license from Dolby Laboratories.
 "Dolby" and the double-D symbol are trademarks of Dolby Laboratories.



"DTS" and "DTS Digital Out" are trademarks of Digital Theater Systems, Inc.

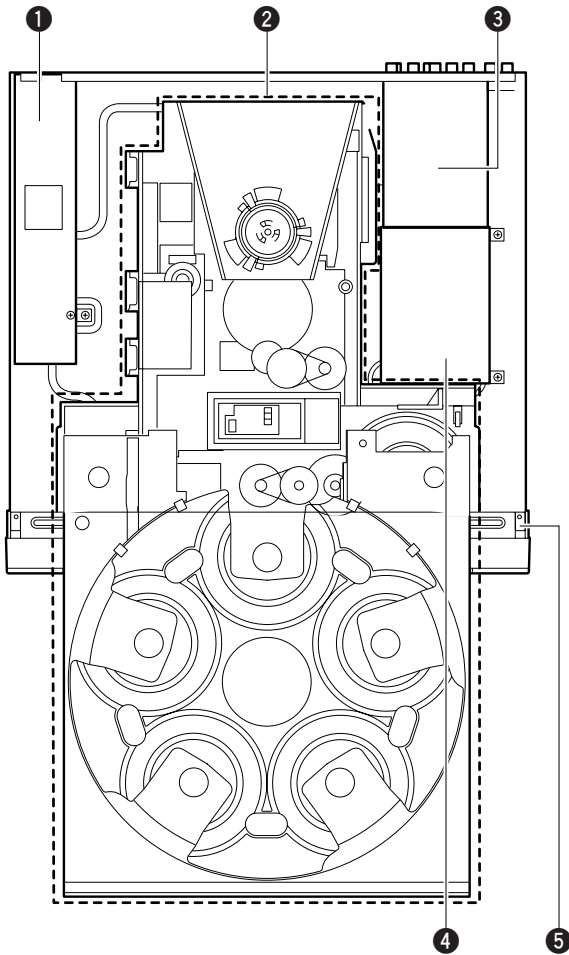
DV-C6860

■ DIMENSIONS

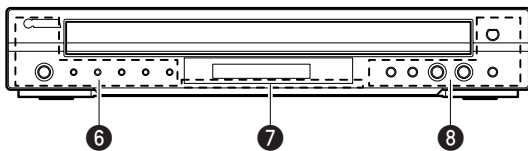


Unit: mm (inch)

■ INTERNAL VIEW



- ① POWER SUPPLY UNIT
- ② DVD 5-DISC CHANGER MODULE
- ③ AV P.C.B.
- ④ MONO P.C.B.
- ⑤ BRACKET FRONT
- ⑥ FRONT (2) STANDBY/ON P.C.B.
- ⑦ FRONT (1) DISPLAY P.C.B.
- ⑧ FRONT (3) OPEN/CLOSE P.C.B.



■ REPAIR NOTES

1. DVD 5-Disc Changer Module

The DVD 5-disc changer module consists of the CM unit and tray ass'y. The DVD 5-disc changer module is supplied as a whole. Neither the CM unit nor tray ass'y can be supplied independently.

2. Power Supply Unit

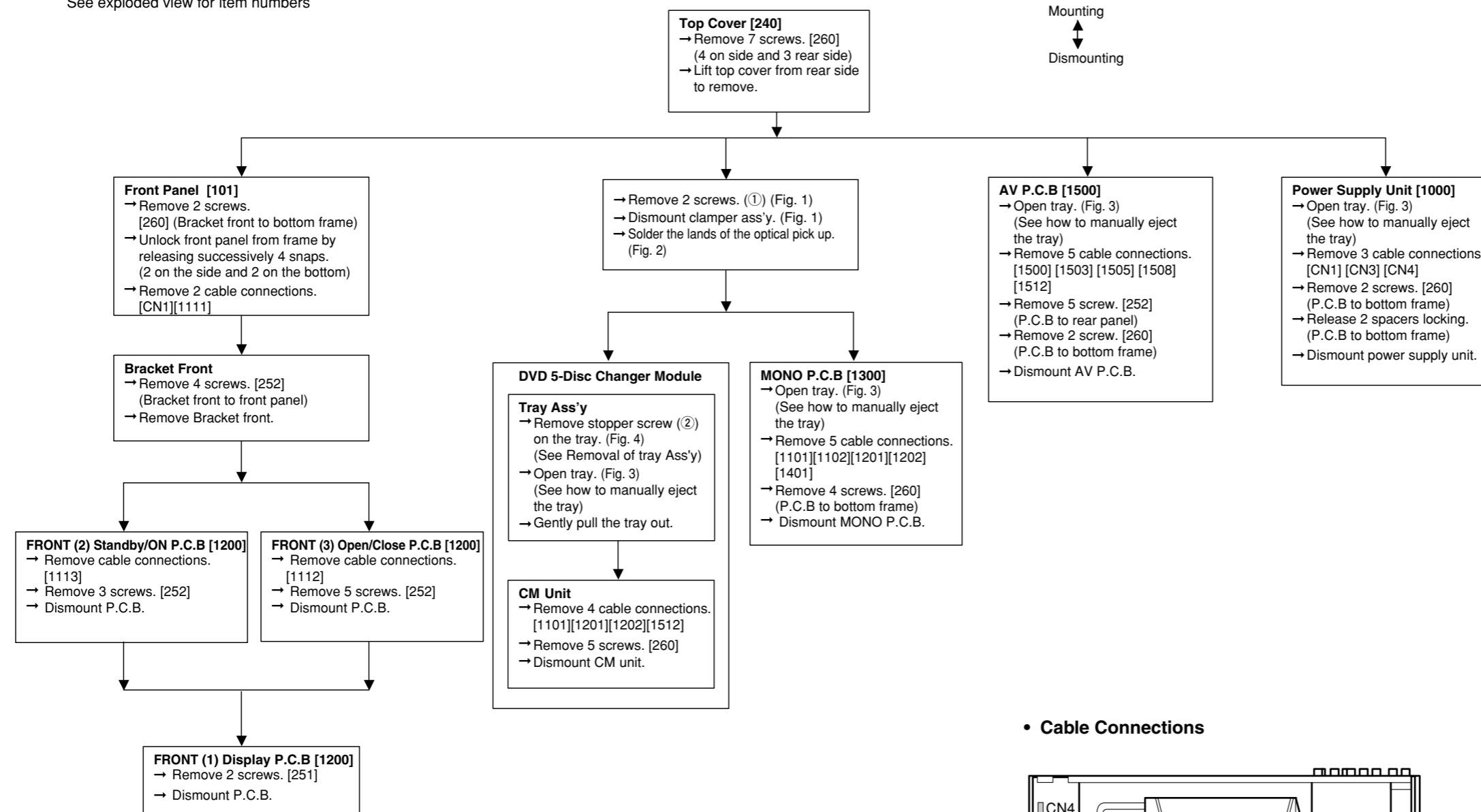
The power supply unit has to be replaced in case of failure.

3. PCB Assembly

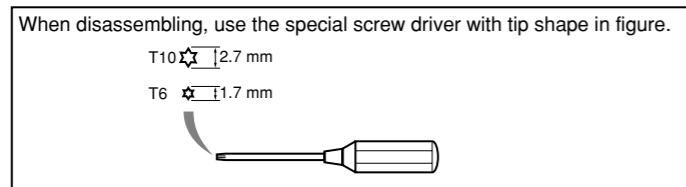
When a failure has occurred in the PCB assembly, replace each P.C.B.

DISASSEMBLY PROCEDURES

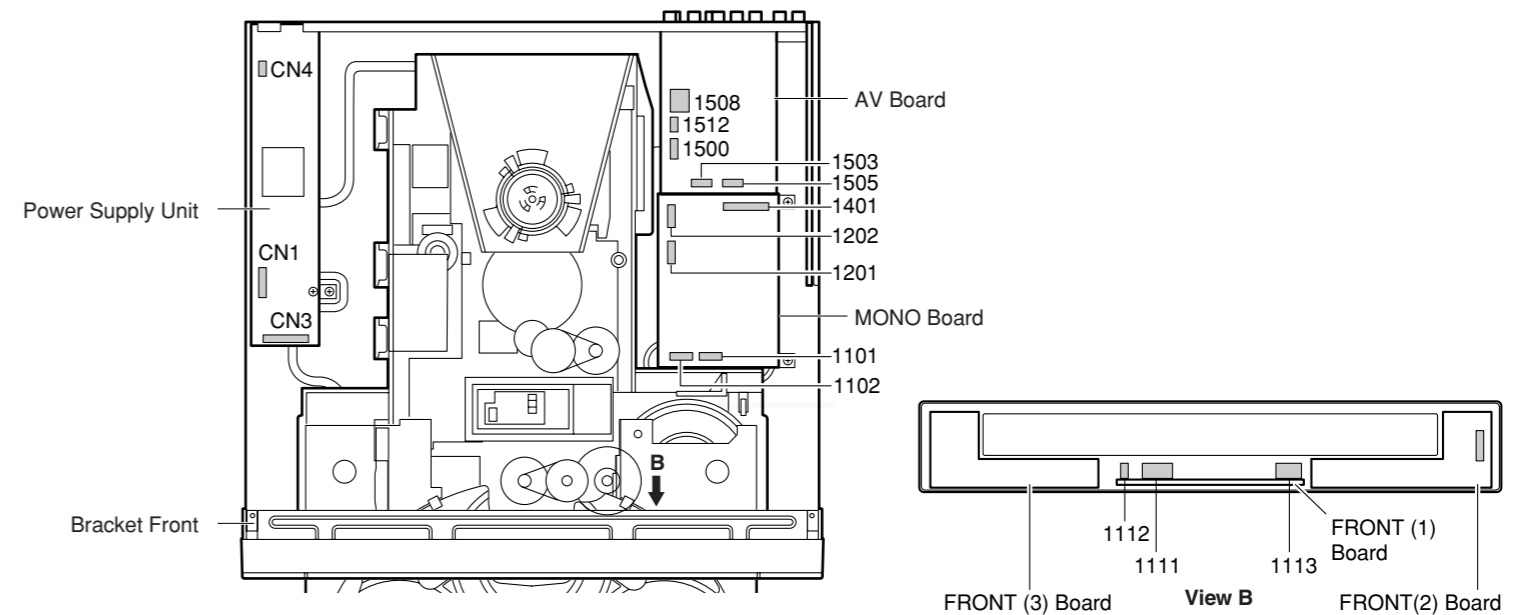
See exploded view for item numbers



Mounting
↕
Dismounting



• Cable Connections



Preventive measure for laser diode from electrostatic breakdown

When replacing the MONO Board or DVD 5-disc changer module, solder between lands of the optical pick up P.C.B. to protect the laser diode against electrostatic breakdown.

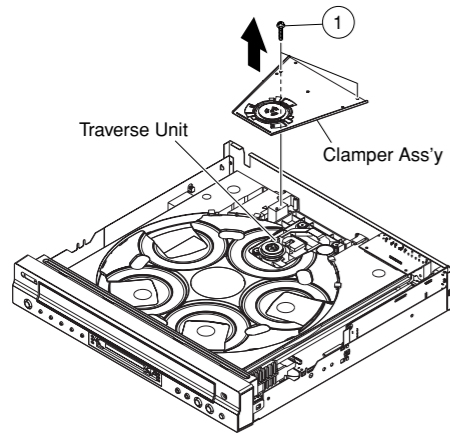


Fig. 1

Notes

- Use an anti-static soldering iron to short-circuit and unshort-circuit laser diode.
- After you have finished repairing, remove the solder from the short-circuit location.

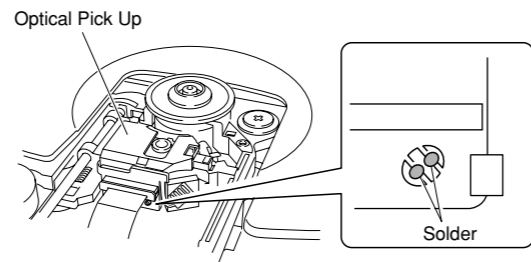


Fig. 2

How to manually eject the tray

- Turn the player bottom up.
- Move the slider in the direction indicated with a screw driver until the tray is ejected.
- Gently pull the tray out.

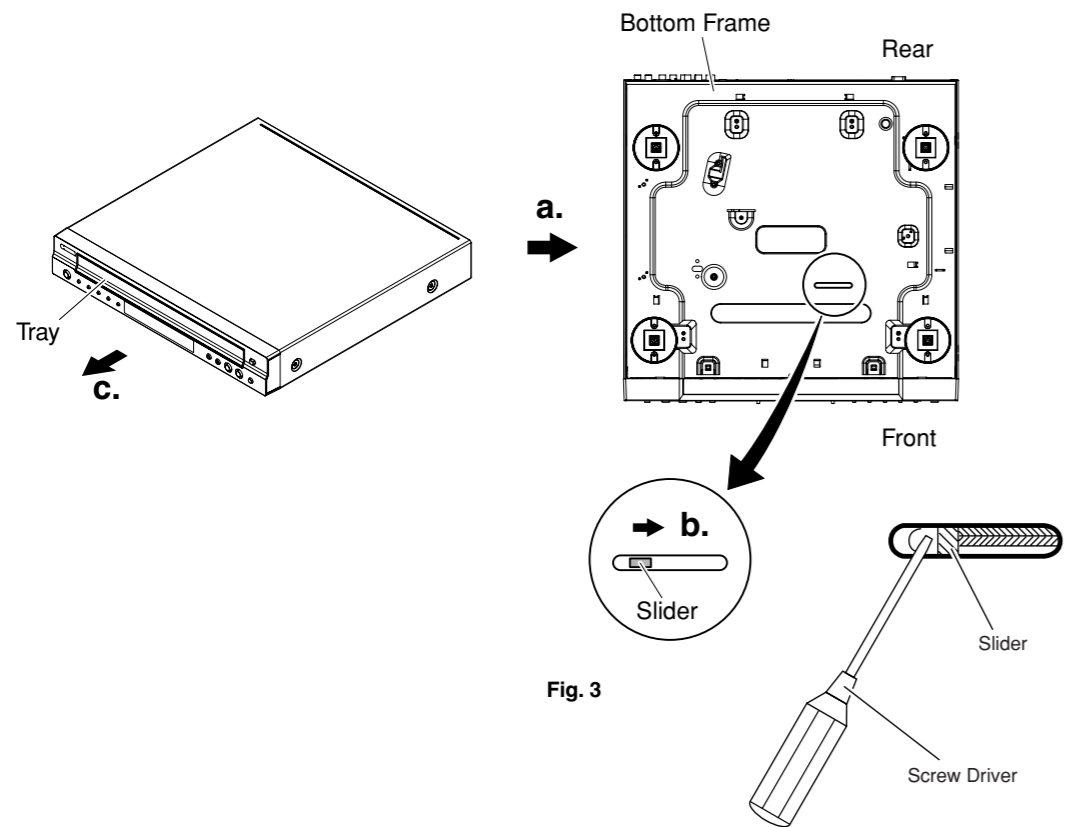


Fig. 3

1. Removal of Tray Ass'y

* The tray ass'y cannot be supplied independently. The tray ass'y is contained in DVD 5-disc changer module and supplied as a DVD 5-disc changer module.

- Remove the top cover.
- Open tray (see How to manually eject the tray).
- Remove 1 screw (2).
- Remove the tray ass'y.

Precaution for installation of the tray ass'y.
On tray ass'y setting. Check the direction of marking "▲" on gear according to this drawing.

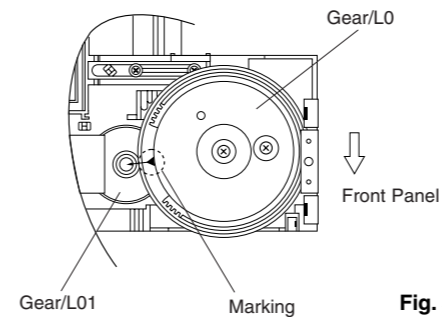


Fig. 5

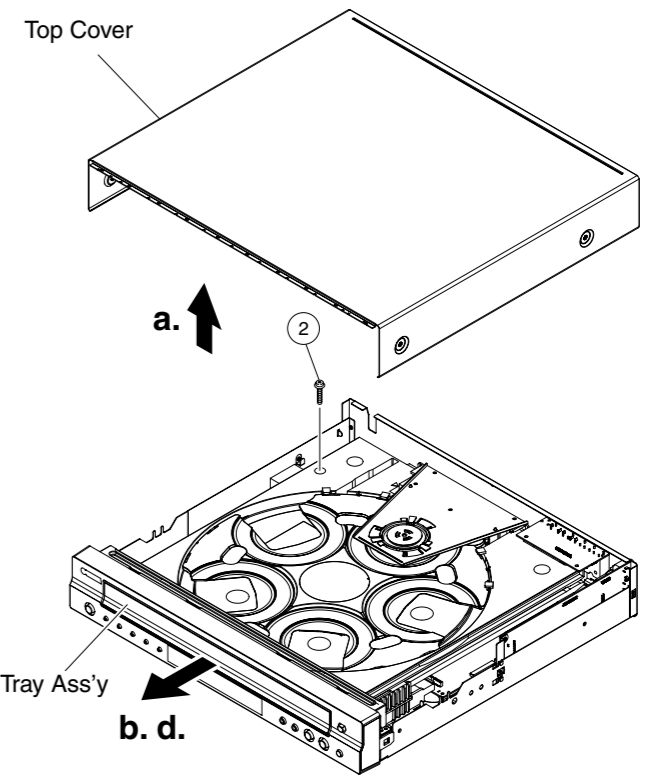


Fig. 4

2. Removal of Table

* The table cannot be supplied independently. The table is contained in DVD 5-disc changer module and supplied as a DVD 5-disc changer module.

- Remove the plate/table in Fig.6.
- Remove 1 screw (2) and then take off the table in Fig.6.

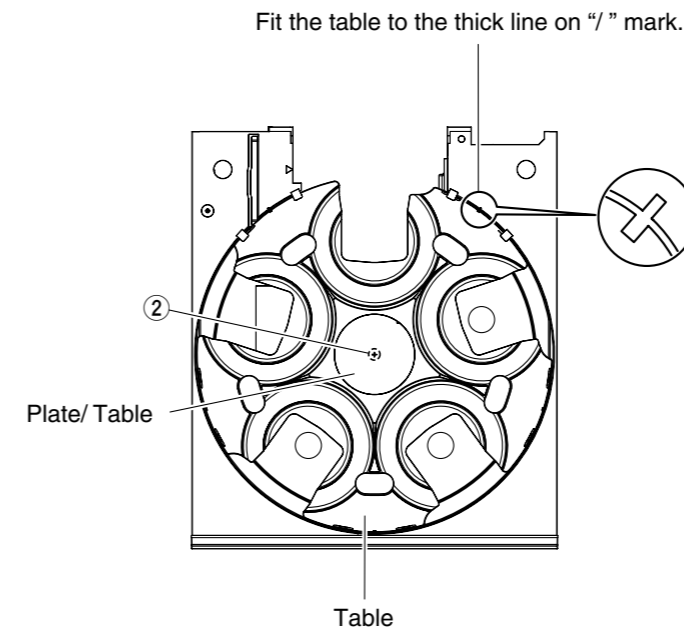


Fig. 6

IMPORTANT: Installation of Table.

Install the table according to the following procedure.

- Slide the lever so that the gear/RT becomes free. (Fig.7)
- With the "▲" mark on the gear/RT aligned with the same mark on the tray, lock it with the lever. (Fig.7)
- Install the table by aligning it to the thick line on "/" mark. (Fig.6)

* Check that the table is locked after installation.

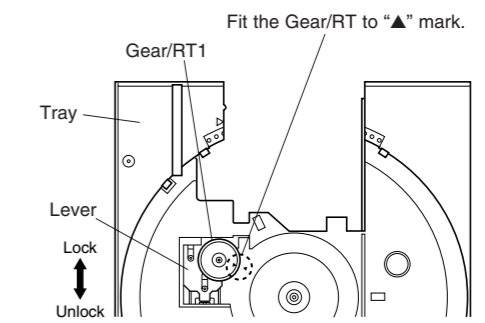
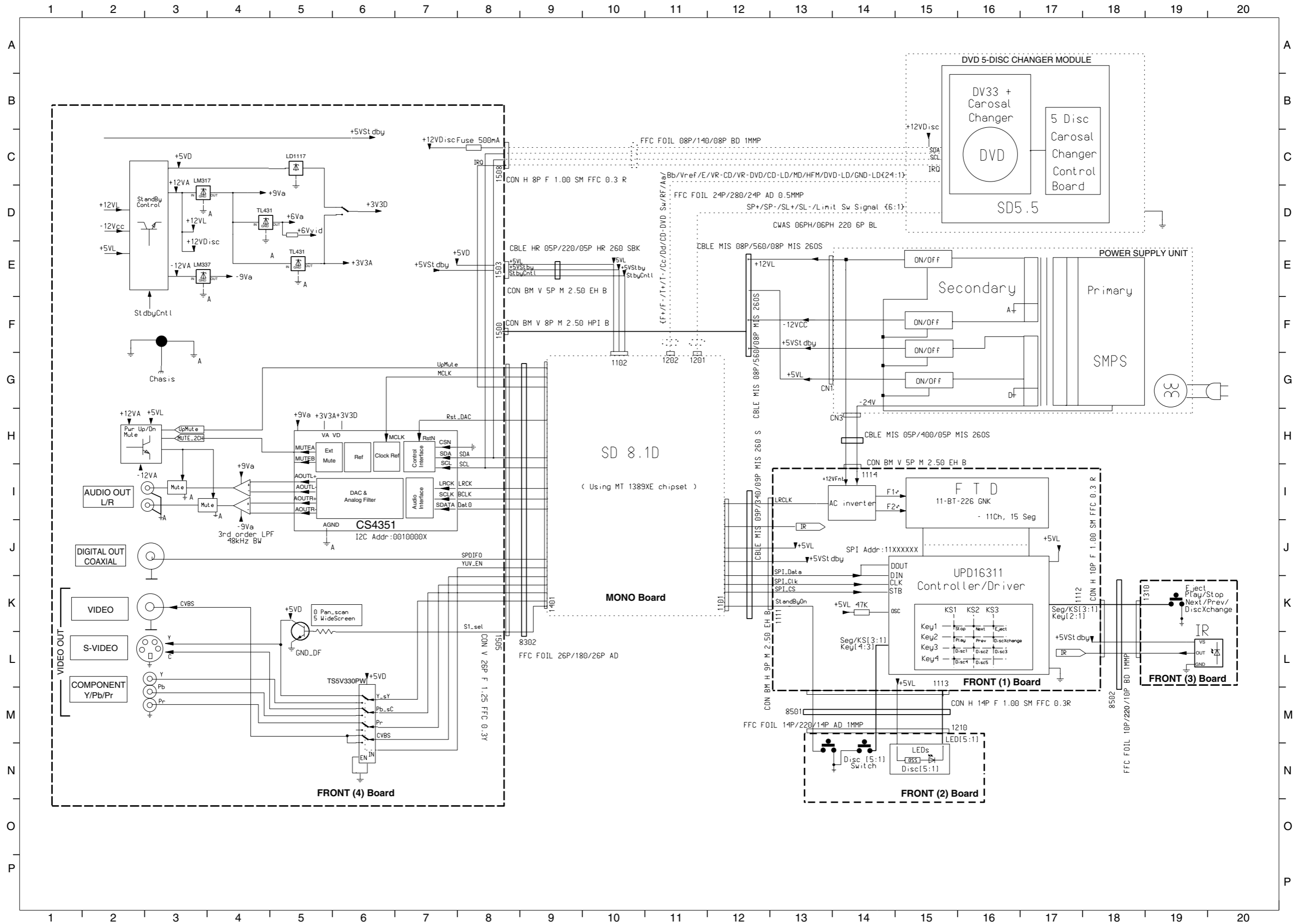


Fig. 7

■ BLOCK DIAGRAM

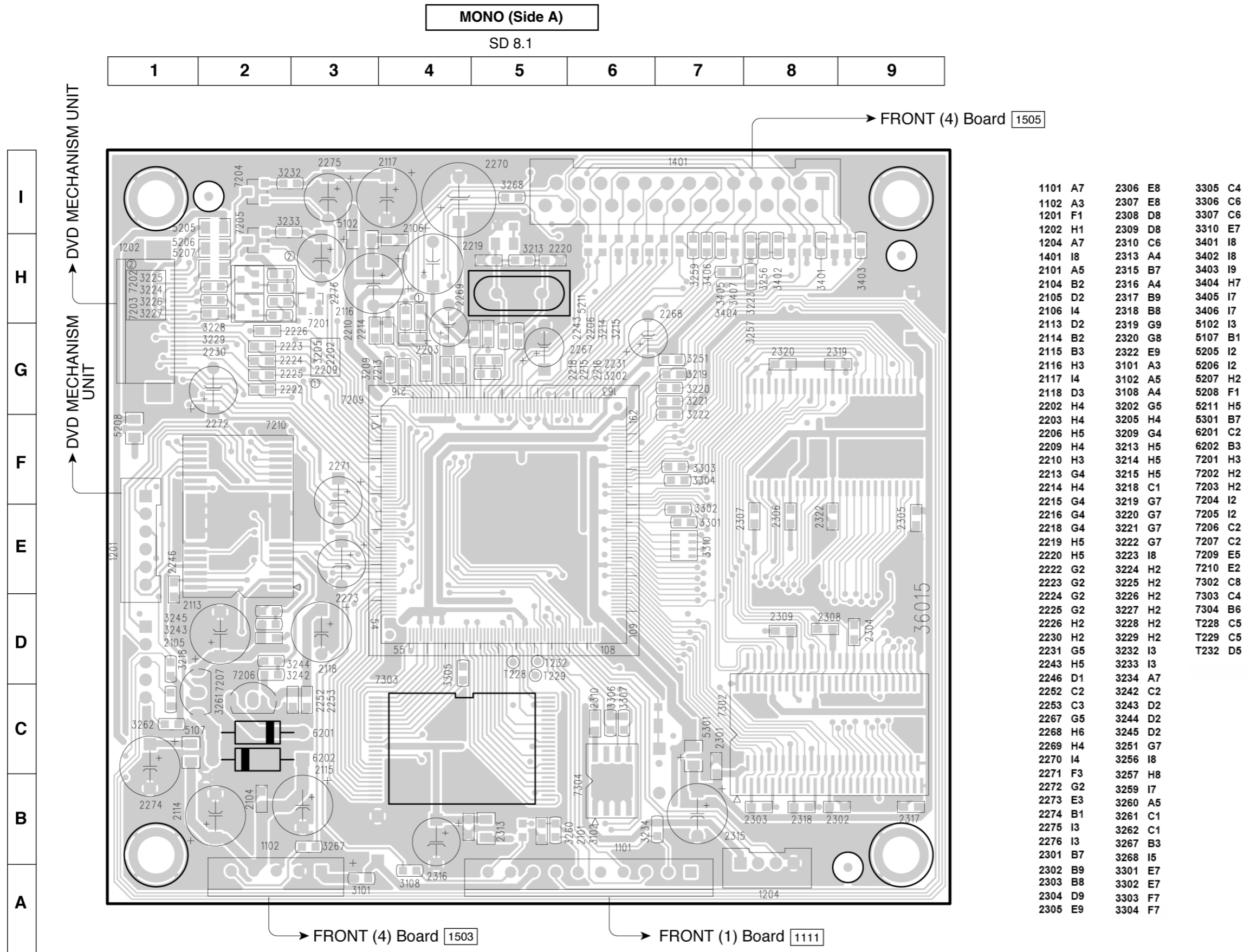


PRINTED CIRCUIT BOARDS

FOR INFORMATION ONLY (NO REPLACEMENT PARTS WILL BE AVAILABLE)

The first digit of a component indicates the component type.

1xxx : Connector 3xxx : Resistor 5xxx : Coil 7xxx : IC, Transistor, FET
 2xxx : Capacitor 4xxx : SMD jumper 6xxx : Diode 9xxx : Wire jumper



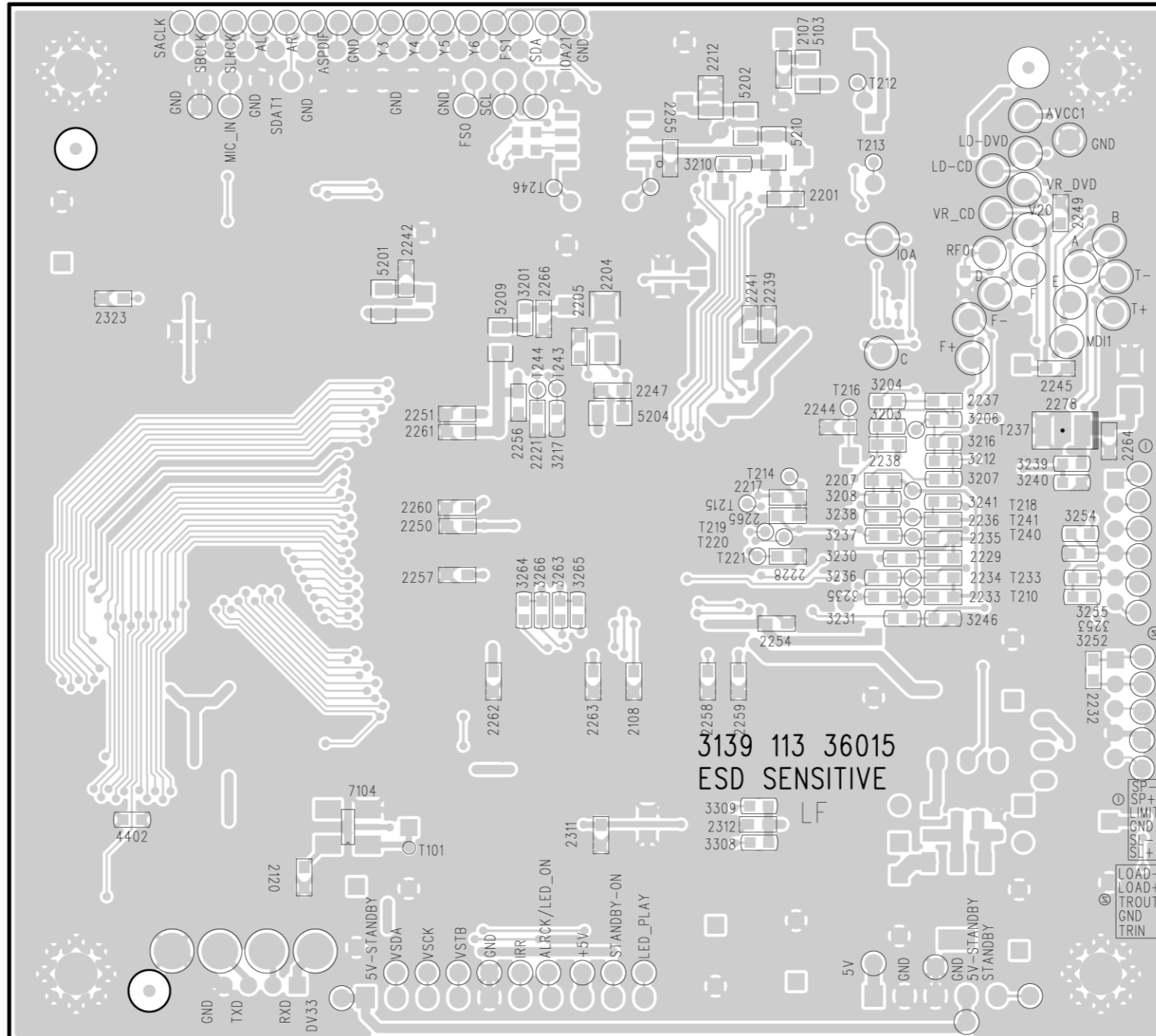
The first digit of a component indicates the component type.
 1xxx : Connector 3xxx : Resistor 5xxx : Coil 7xxx : IC, Transistor, FET
 2xxx : Capacitor 4xxx : SMD jumper 6xxx : Diode 9xxx : Wire jumper

MONO (Side B)

SD 8.1

1	2	3	4	5	6	7	8	9
---	---	---	---	---	---	---	---	---

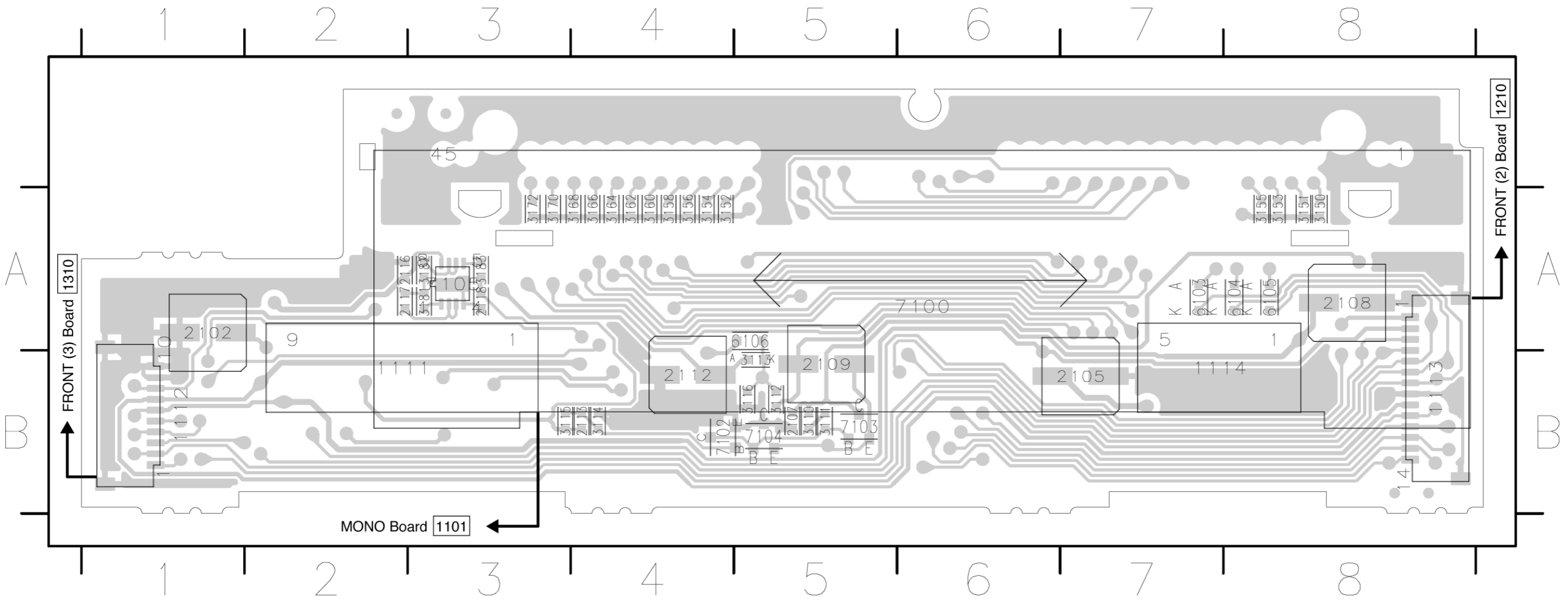
I
H
G
F
E
D
C
B
A



2107	I7	3201	G5
2108	D5	3203	F8
2120	C4	3204	F8
2201	H7	3206	F8
2204	G5	3207	F8
2205	G5	3208	E8
2207	F8	3210	H6
2212	I6	3212	F8
2217	E7	3216	F8
2221	F5	3217	F5
2228	E7	3230	E8
2229	E8	3231	D8
2232	D9	3235	E8
2233	E8	3236	E8
2234	E8	3237	E8
2235	E8	3238	E8
2236	E8	3239	F9
2237	F8	3240	F9
2238	F8	3241	E8
2239	G7	3246	D8
2241	G6	3252	E9
2242	G4	3253	E9
2244	F7	3254	E9
2245	G9	3255	E9
2247	F5	3263	D5
2249	H9	3264	D5
2250	E4	3265	D5
2251	F4	3266	D5
2254	D7	3308	B7
2255	H6	3309	C7
2256	F5	4402	B1
2257	E4	5103	I7
2258	D6	5104	B8
2259	D6	5201	G4
2260	E4	5202	I6
2261	F4	5204	F5
2262	D4	5209	G4
2263	D5	5210	I7
2264	F9	7104	C3
2265	E7		
2266	G5		
2278	F9		
2311	B5		
2312	B7		
2323	G1		

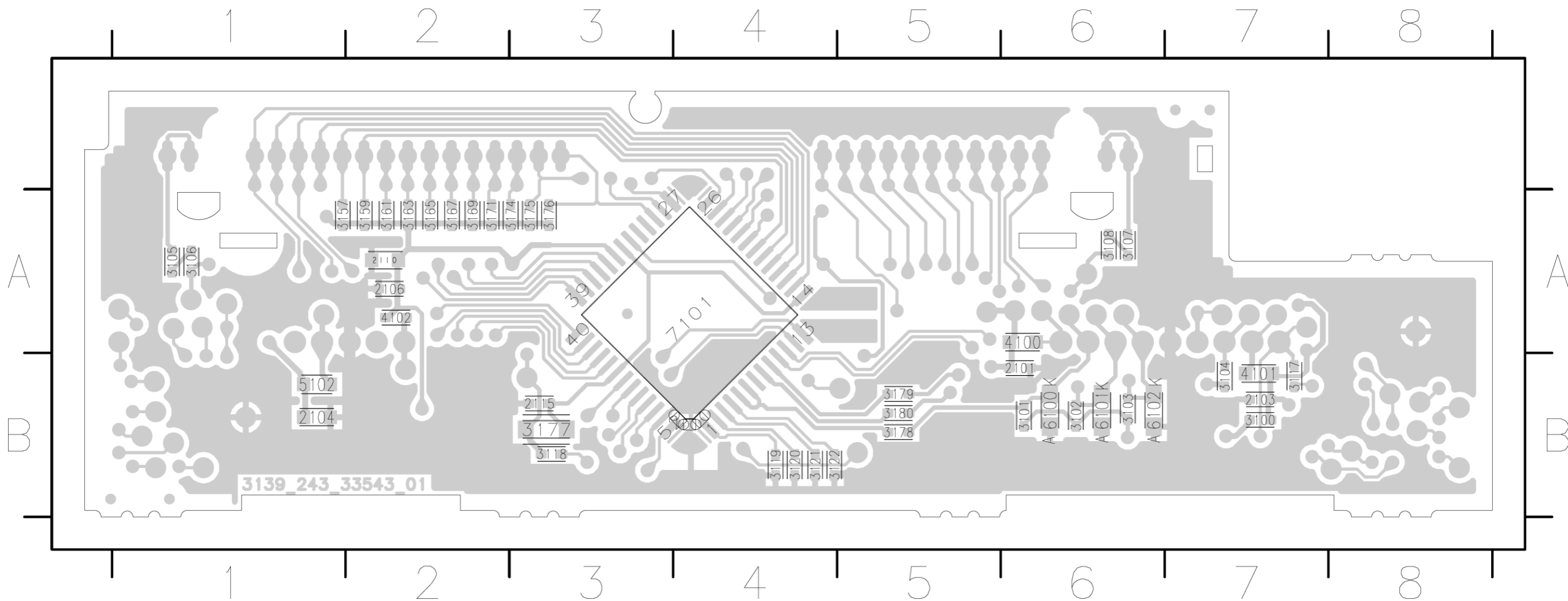
FRONT (1) (Side A)

1111	B2	2105	B7	2113	B4	3111	B5	3116	B5	3154	A4	3162	A4	3172	A3	6104	A8	7103	B5
1112	B1	2107	B5	2116	A2	3112	B5	3150	A8	3155	A8	3164	A4	3181	A3	6105	A8	7104	B5
1113	B8	2108	A8	2117	A2	3113	B5	3151	A8	3156	A4	3166	A4	3182	A3	6106	A5	7105	A3
1114	B7	2109	B5	2118	A3	3114	B4	3152	A4	3158	A4	3168	A4	3183	A3	7100	A6		
2102	A1	2112	B4	3110	B5	3115	B3	3153	A8	3160	A4	3170	A3	6103	A7	7102	B4		



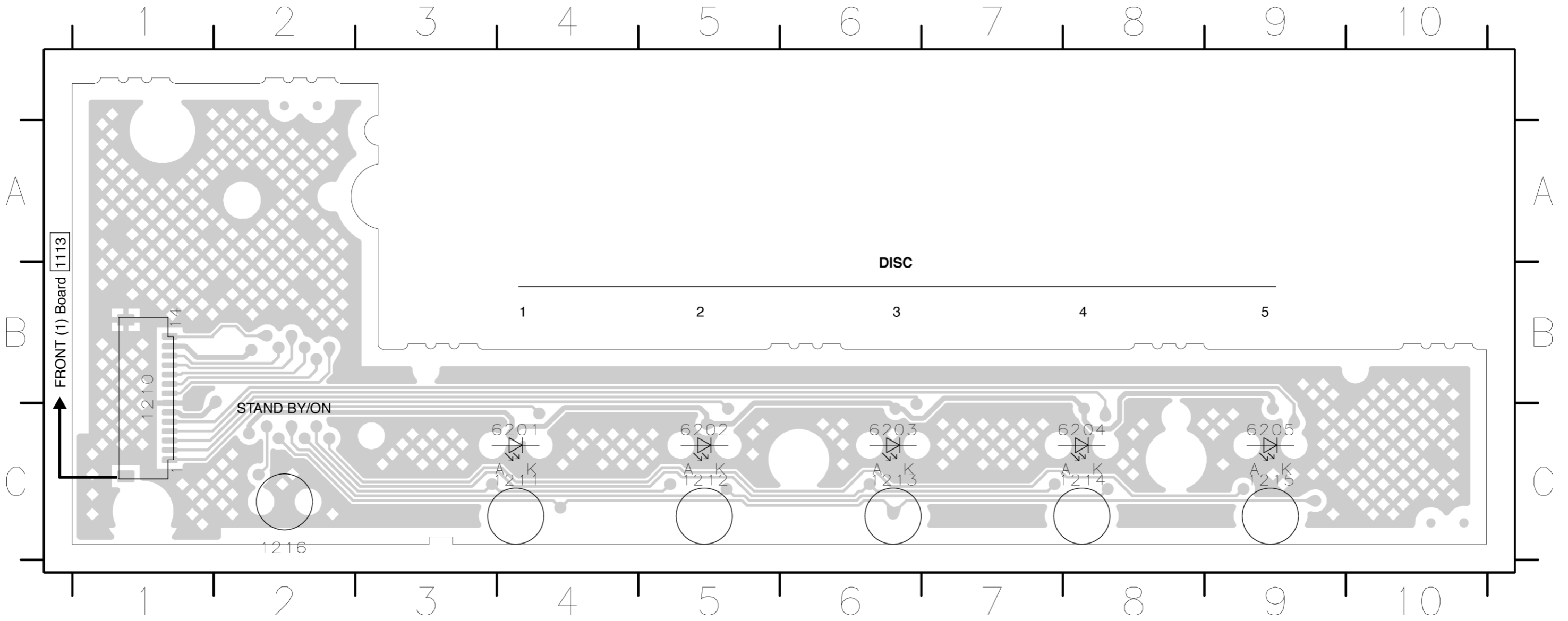
FRONT (1) (Side B)

2101	B6	2115	B3	3104	B7	3117	B7	3122	B4	3165	A2	3175	A3	3180	B5	6100	B6
2103	B7	3100	B7	3105	A1	3118	B3	3157	A1	3167	A2	3176	A3	4100	A6	6101	B6
2104	B1	3101	B6	3106	A1	3119	B4	3159	A2	3169	A2	3177	B3	4101	B7	6102	B6
2106	A2	3102	B6	3107	A6	3120	B4	3161	A2	3171	A2	3178	B5	4102	A2	7101	A4
2110	A2	3103	B6	3108	A6	3121	B4	3163	A2	3174	A3	3179	B5	5102	B1		



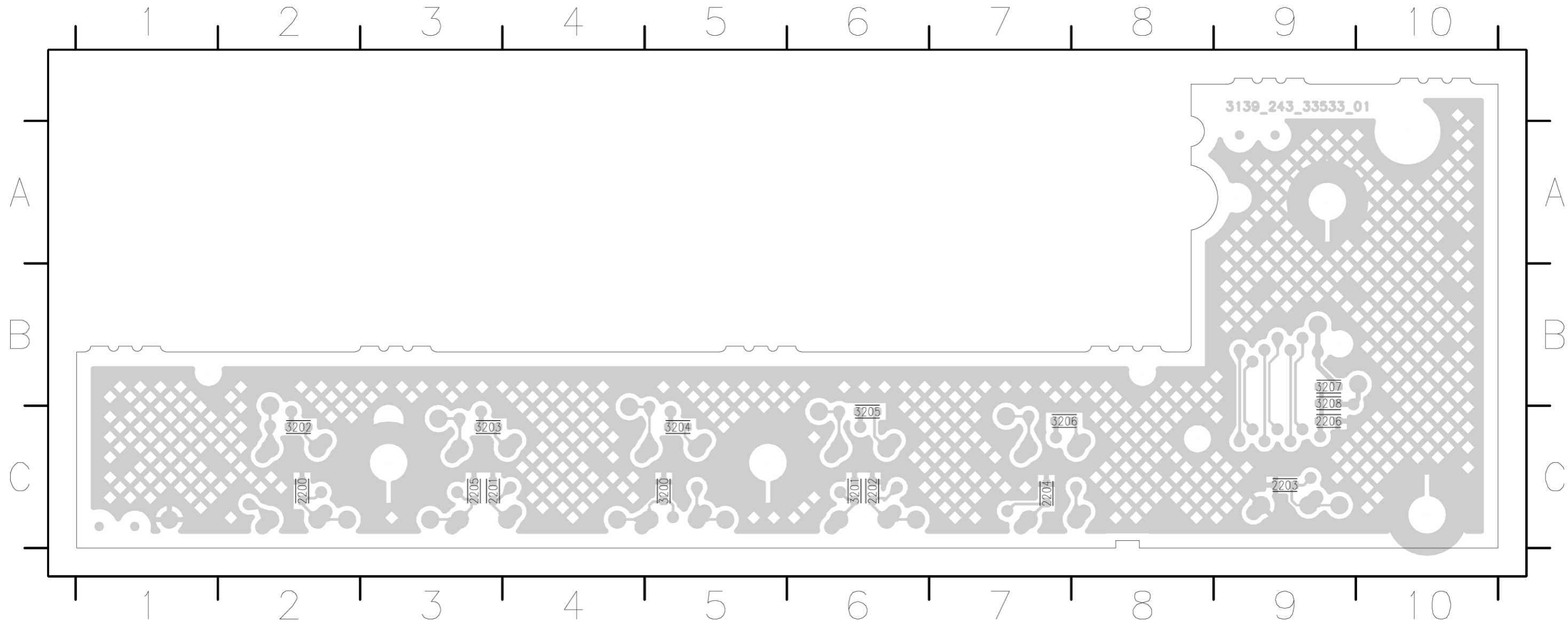
FRONT (2) STANDBY/ON (Side A)

1210 B1	1212 C5	1214 C8	1216 C2	6202 C5	6204 C8
1211 C4	1213 C6	1215 C9	6201 C4	6203 C6	6205 C9



FRONT (2) STANDBY/ON (Side B)

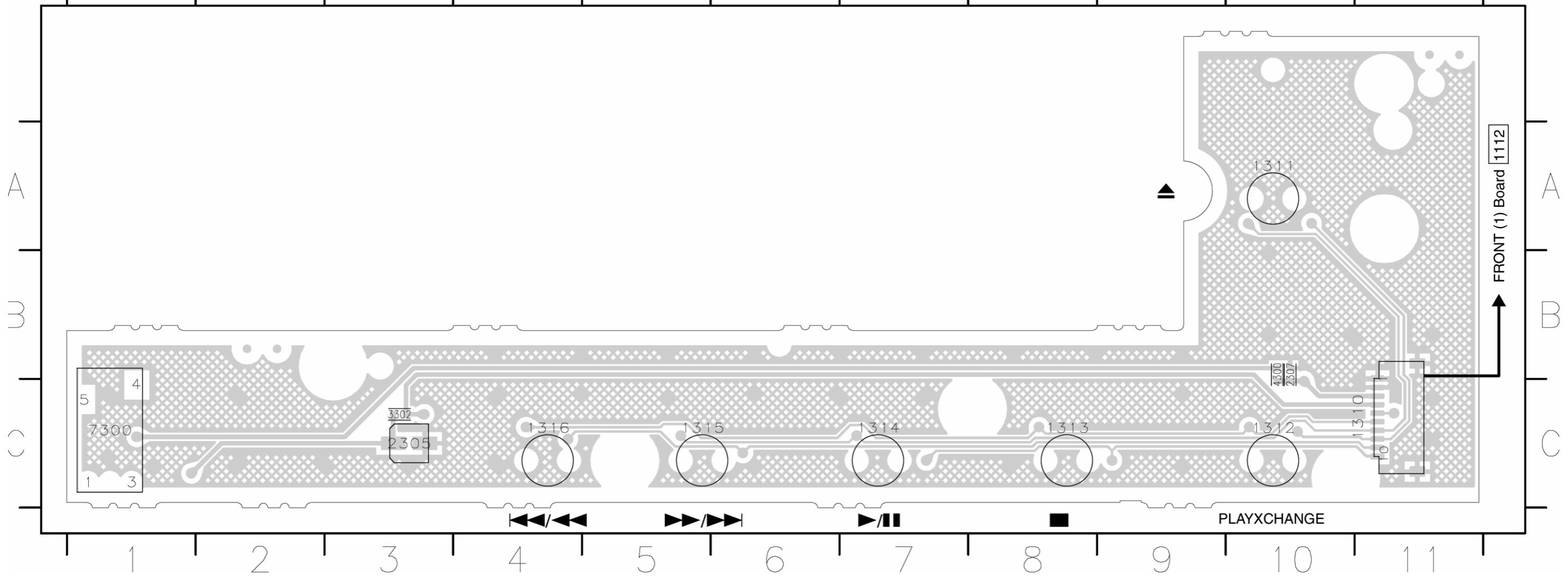
2200 C2 2202 C6 2204 C7 2206 C9 3201 C6 3203 C3 3205 C6 3207 B9
2201 C3 2203 C9 2205 C3 3200 C5 3202 C2 3204 C5 3206 C7 3208 B9



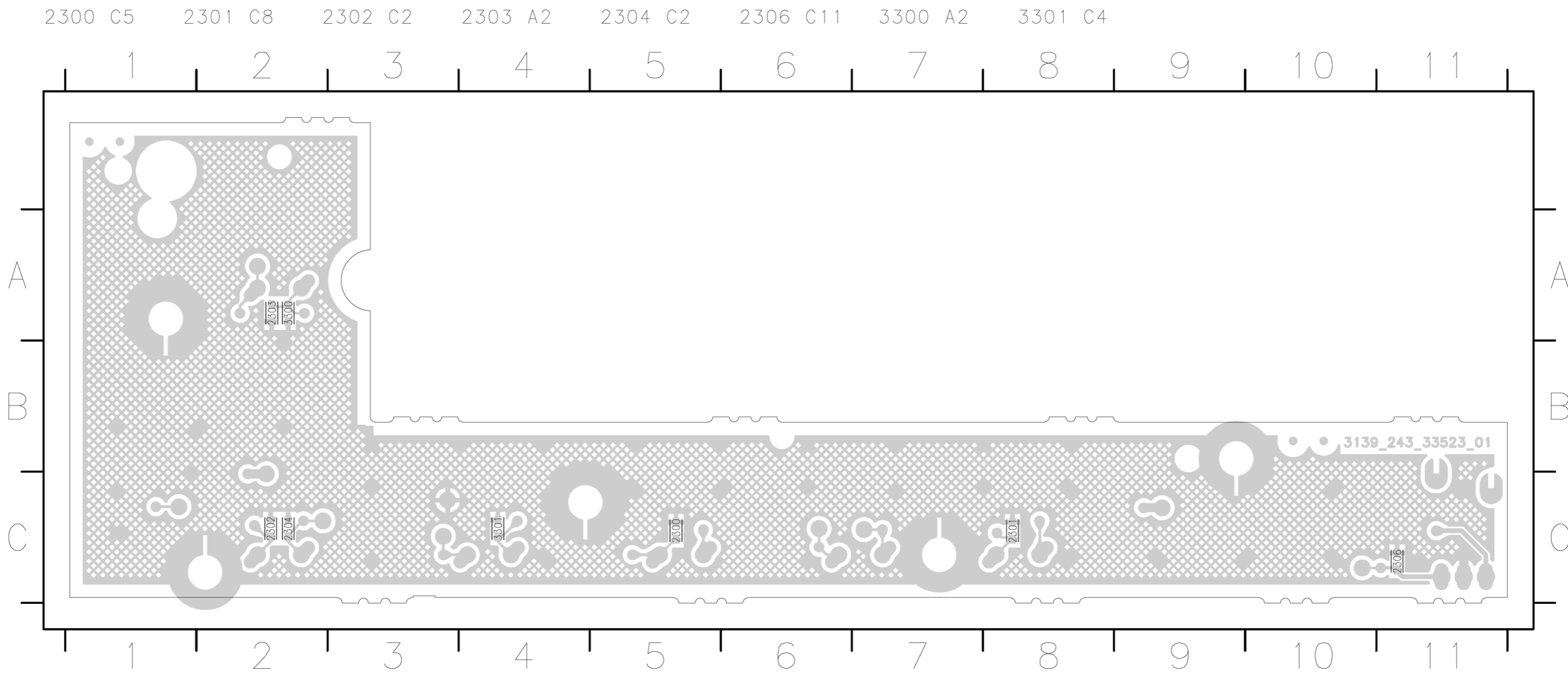
FRONT (3) EJECT/PLAY (Side A)

1310 C11	1312 C10	1314 C7	1316 C4	2307 B10	4300 B10
1311 A10	1313 C8	1315 C5	2305 C3	3302 C3	7300 C1

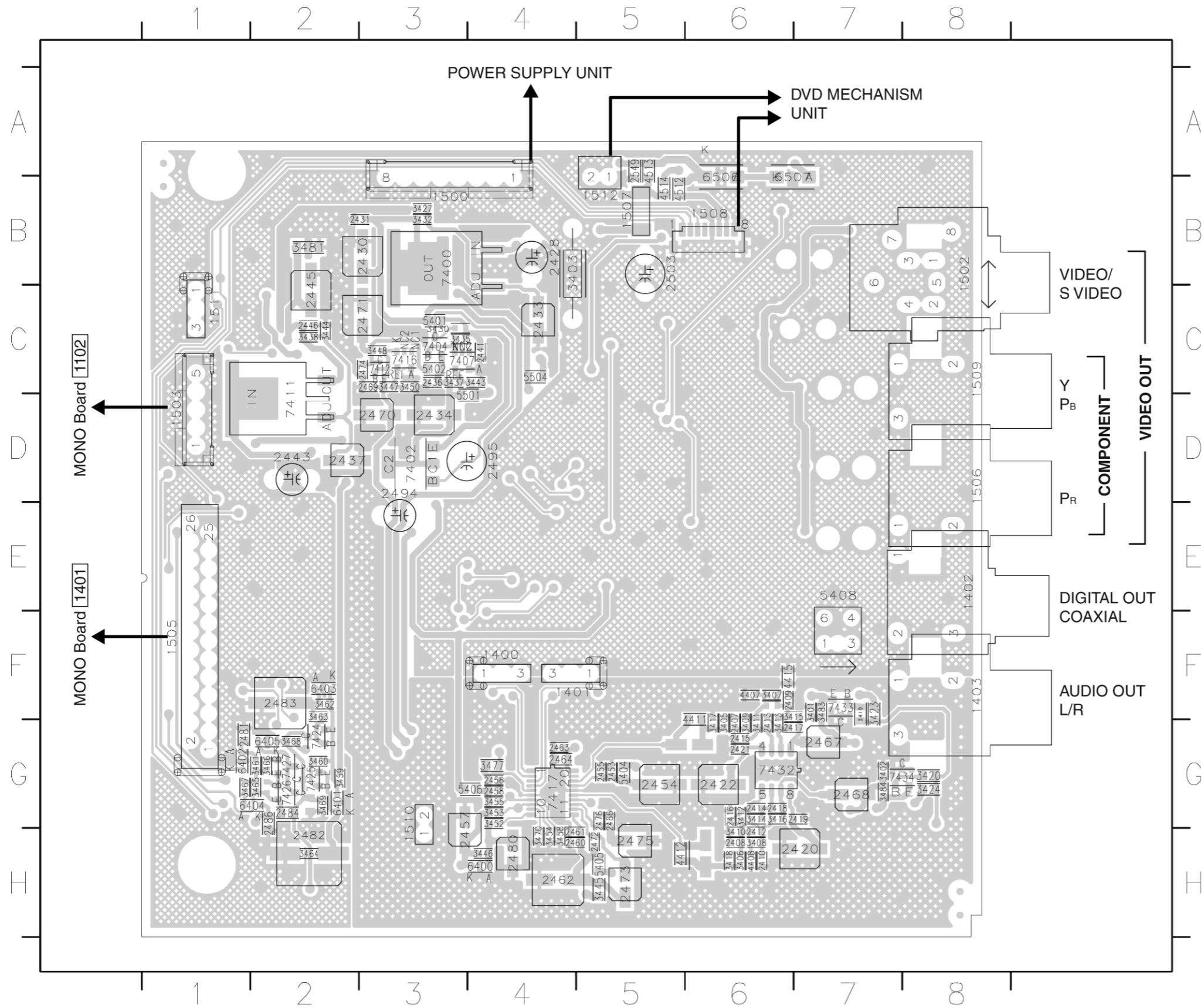
1 2 3 4 5 6 7 8 9 10 11



FRONT (3) EJECT/PLAY (Side B)

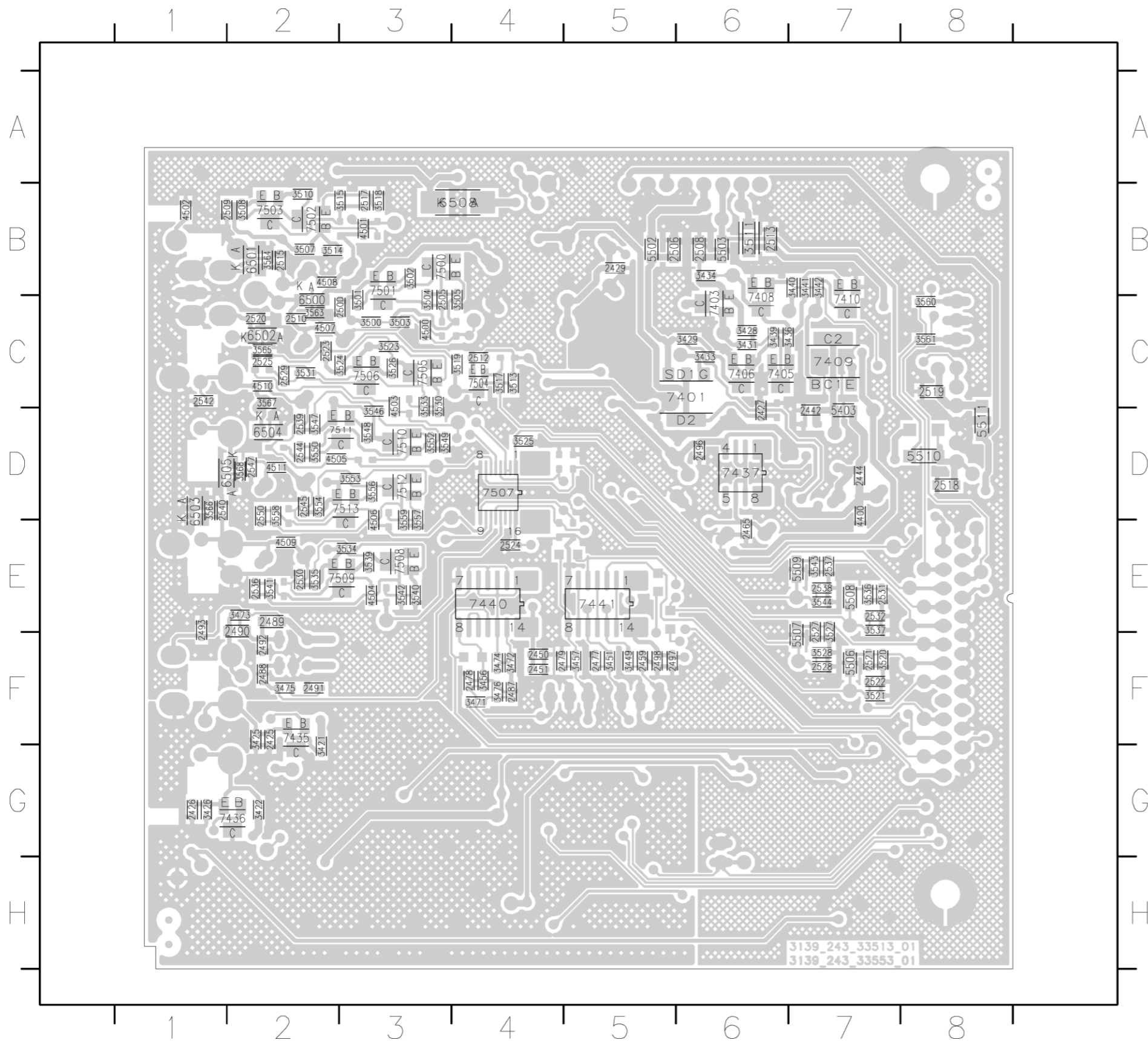


FRONT (4) AV (Side A)



1400	1401	1402	1403	1404	1405	1406	1407	1408	1409	1410	1411	1412	1413	1414	1415	1416	1417	1418	1419	1420	1421	1422	1423	1424	1425	1426	1427	1428	1429	1430	1431	1432	1433	1434	1435	1436	1437	1438	1439	1440	1441	1442	1443	1444	1445	1446	1447	1448	1449	1450	1451	1452	1453	1454	1455	1456	1457	1458	1459	1460	1461	1462	1463	1464	1465	1466	1467	1468	1469	1470	1471	1472	1473	1474	1475	1476	1477	1478	1479	1480	1481	1482	1483	1484	1485	1486	1487	1488	1489	1490	1491	1492	1493	1494	1495	1496	1497	1498	1499	1500	1501	1502	1503	1504	1505	1506	1507	1508	1509	1510	1511	1512	1513	1514	1515	1516	1517	1518	1519	1520	1521	1522	1523	1524	1525	1526	1527	1528	1529	1530	1531	1532	1533	1534	1535	1536	1537	1538	1539	1540	1541	1542	1543	1544	1545	1546	1547	1548	1549	1550	1551	1552	1553	1554	1555	1556	1557	1558	1559	1560	1561	1562	1563	1564	1565	1566	1567	1568	1569	1570	1571	1572	1573	1574	1575	1576	1577	1578	1579	1580	1581	1582	1583	1584	1585	1586	1587	1588	1589	1590	1591	1592	1593	1594	1595	1596	1597	1598	1599	1600	1601	1602	1603	1604	1605	1606	1607	1608	1609	1610	1611	1612	1613	1614	1615	1616	1617	1618	1619	1620	1621	1622	1623	1624	1625	1626	1627	1628	1629	1630	1631	1632	1633	1634	1635	1636	1637	1638	1639	1640	1641	1642	1643	1644	1645	1646	1647	1648	1649	1650	1651	1652	1653	1654	1655	1656	1657	1658	1659	1660	1661	1662	1663	1664	1665	1666	1667	1668	1669	1670	1671	1672	1673	1674	1675	1676	1677	1678	1679	1680	1681	1682	1683	1684	1685	1686	1687	1688	1689	1690	1691	1692	1693	1694	1695	1696	1697	1698	1699	1700	1701	1702	1703	1704	1705	1706	1707	1708	1709	1710	1711	1712	1713	1714	1715	1716	1717	1718	1719	1720	1721	1722	1723	1724	1725	1726	1727	1728	1729	1730	1731	1732	1733	1734	1735	1736	1737	1738	1739	1740	1741	1742	1743	1744	1745	1746	1747	1748	1749	1750	1751	1752	1753	1754	1755	1756	1757	1758	1759	1760	1761	1762	1763	1764	1765	1766	1767	1768	1769	1770	1771	1772	1773	1774	1775	1776	1777	1778	1779	1780	1781	1782	1783	1784	1785	1786	1787	1788	1789	1790	1791	1792	1793	1794	1795	1796	1797	1798	1799	1800	1801	1802	1803	1804	1805	1806	1807	1808	1809	1810	1811	1812	1813	1814	1815	1816	1817	1818	1819	1820	1821	1822	1823	1824	1825	1826	1827	1828	1829	1830	1831	1832	1833	1834	1835	1836	1837	1838	1839	1840	1841	1842	1843	1844	1845	1846	1847	1848	1849	1850	1851	1852	1853	1854	1855	1856	1857	1858	1859	1860	1861	1862	1863	1864	1865	1866	1867	1868	1869	1870	1871	1872	1873	1874	1875	1876	1877	1878	1879	1880	1881	1882	1883	1884	1885	1886	1887	1888	1889	1890	1891	1892	1893	1894	1895	1896	1897	1898	1899	1900	1901	1902	1903	1904	1905	1906	1907	1908	1909	1910	1911	1912	1913	1914	1915	1916	1917	1918	1919	1920	1921	1922	1923	1924	1925	1926	1927	1928	1929	1930	1931	1932	1933	1934	1935	1936	1937	1938	1939	1940	1941	1942	1943	1944	1945	1946	1947	1948	1949	1950	1951	1952	1953	1954	1955	1956	1957	1958	1959	1960	1961	1962	1963	1964	1965	1966	1967	1968	1969	1970	1971	1972	1973	1974	1975	1976	1977	1978	1979	1980	1981	1982	1983	1984	1985	1986	1987	1988	1989	1990	1991	1992	1993	1994	1995	1996	1997	1998	1999	2000
------	------	------	------	------	------	------	------	------	------	------	------	------	------	------	------	------	------	------	------	------	------	------	------	------	------	------	------	------	------	------	------	------	------	------	------	------	------	------	------	------	------	------	------	------	------	------	------	------	------	------	------	------	------	------	------	------	------	------	------	------	------	------	------	------	------	------	------	------	------	------	------	------	------	------	------	------	------	------	------	------	------	------	------	------	------	------	------	------	------	------	------	------	------	------	------	------	------	------	------	------	------	------	------	------	------	------	------	------	------	------	------	------	------	------	------	------	------	------	------	------	------	------	------	------	------	------	------	------	------	------	------	------	------	------	------	------	------	------	------	------	------	------	------	------	------	------	------	------	------	------	------	------	------	------	------	------	------	------	------	------	------	------	------	------	------	------	------	------	------	------	------	------	------	------	------	------	------	------	------	------	------	------	------	------	------	------	------	------	------	------	------	------	------	------	------	------	------	------	------	------	------	------	------	------	------	------	------	------	------	------	------	------	------	------	------	------	------	------	------	------	------	------	------	------	------	------	------	------	------	------	------	------	------	------	------	------	------	------	------	------	------	------	------	------	------	------	------	------	------	------	------	------	------	------	------	------	------	------	------	------	------	------	------	------	------	------	------	------	------	------	------	------	------	------	------	------	------	------	------	------	------	------	------	------	------	------	------	------	------	------	------	------	------	------	------	------	------	------	------	------	------	------	------	------	------	------	------	------	------	------	------	------	------	------	------	------	------	------	------	------	------	------	------	------	------	------	------	------	------	------	------	------	------	------	------	------	------	------	------	------	------	------	------	------	------	------	------	------	------	------	------	------	------	------	------	------	------	------	------	------	------	------	------	------	------	------	------	------	------	------	------	------	------	------	------	------	------	------	------	------	------	------	------	------	------	------	------	------	------	------	------	------	------	------	------	------	------	------	------	------	------	------	------	------	------	------	------	------	------	------	------	------	------	------	------	------	------	------	------	------	------	------	------	------	------	------	------	------	------	------	------	------	------	------	------	------	------	------	------	------	------	------	------	------	------	------	------	------	------	------	------	------	------	------	------	------	------	------	------	------	------	------	------	------	------	------	------	------	------	------	------	------	------	------	------	------	------	------	------	------	------	------	------	------	------	------	------	------	------	------	------	------	------	------	------	------	------	------	------	------	------	------	------	------	------	------	------	------	------	------	------	------	------	------	------	------	------	------	------	------	------	------	------	------	------	------	------	------	------	------	------	------	------	------	------	------	------	------	------	------	------	------	------	------	------	------	------	------	------	------	------	------	------	------	------	------	------	------	------	------	------	------	------	------	------	------	------	------	------	------	------	------	------	------	------	------	------	------	------	------	------	------	------	------	------	------	------	------	------	------	------	------	------	------	------	------	------	------	------	------

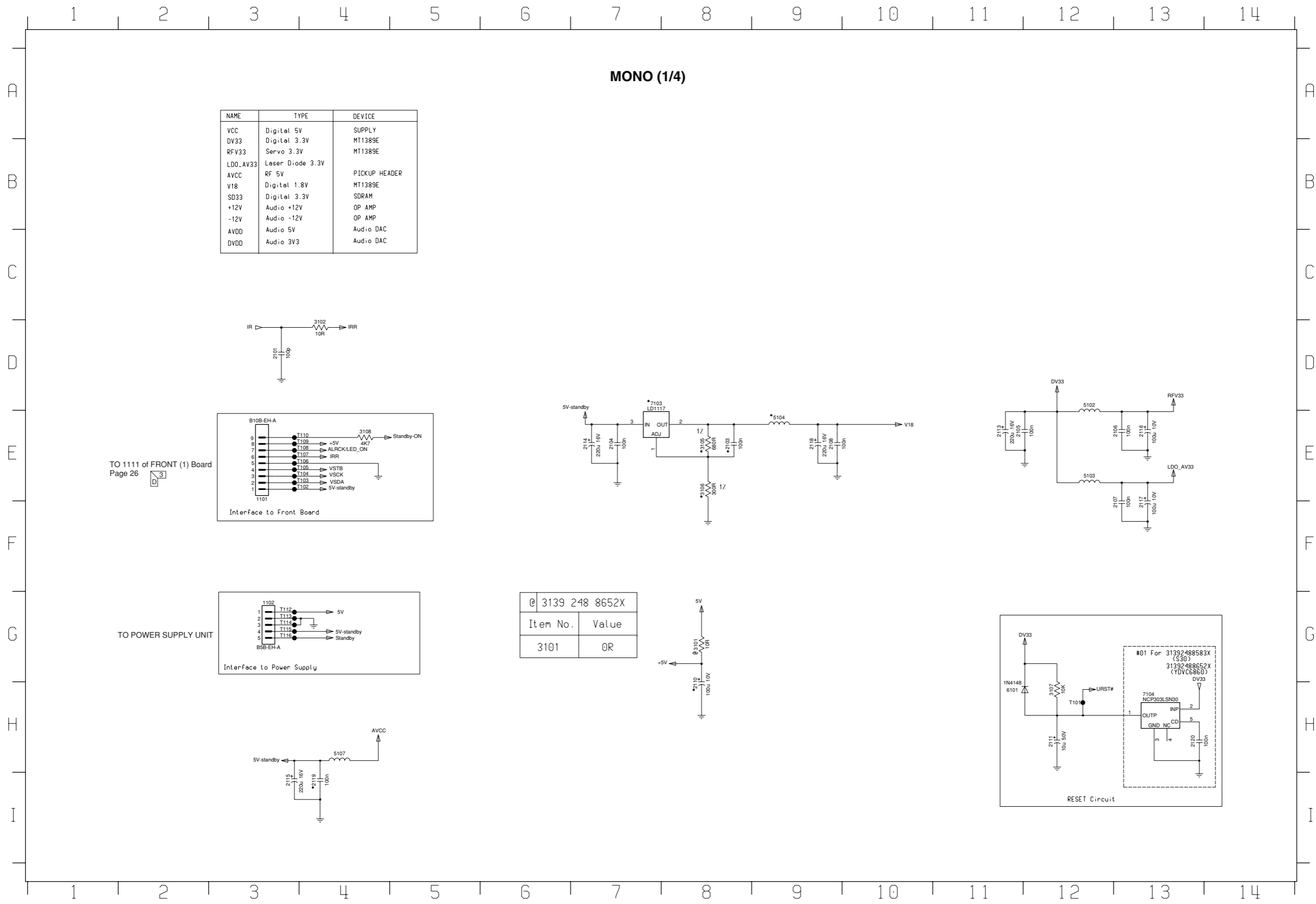
FRONT (4) AV (Side B)



2429	2430	2431	2432	2433	2434	2435	2436	2437	2438	2439	2440	2441	2442	2443	2444	2445	2446	2447	2448	2449	2450	2451	2452	2453	2454	2455	2456	2457	2458	2459	2460	2461	2462	2463	2464	2465	2466	2467	2468	2469	2470	2471	2472	2473	2474	2475	2476	2477	2478	2479	2480	2481	2482	2483	2484	2485	2486	2487	2488	2489	2490	2491	2492	2493	2494	2495	2496	2497	2498	2499	2500	2501	2502	2503	2504	2505	2506	2507	2508	2509	2510	2511	2512	2513	2514	2515	2516	2517	2518	2519	2520	2521	2522	2523	2524	2525	2526	2527	2528	2529	2530	2531	2532	2533	2534	2535	2536	2537	2538	2539	2540	2541	2542	2543	2544	2545	2546	2547	2548	2549	2550	2551	2552	2553	2554	2555	2556	2557	2558	2559	2560	2561	2562	2563	2564	2565	2566	2567	2568	2569	2570	2571	2572	2573	2574	2575	2576	2577	2578	2579	2580	2581	2582	2583	2584	2585	2586	2587	2588	2589	2590	2591	2592	2593	2594	2595	2596	2597	2598	2599	2600	2601	2602	2603	2604	2605	2606	2607	2608	2609	2610	2611	2612	2613	2614	2615	2616	2617	2618	2619	2620	2621	2622	2623	2624	2625	2626	2627	2628	2629	2630	2631	2632	2633	2634	2635	2636	2637	2638	2639	2640	2641	2642	2643	2644	2645	2646	2647	2648	2649	2650	2651	2652	2653	2654	2655	2656	2657	2658	2659	2660	2661	2662	2663	2664	2665	2666	2667	2668	2669	2670	2671	2672	2673	2674	2675	2676	2677	2678	2679	2680	2681	2682	2683	2684	2685	2686	2687	2688	2689	2690	2691	2692	2693	2694	2695	2696	2697	2698	2699	2700	2701	2702	2703	2704	2705	2706	2707	2708	2709	2710	2711	2712	2713	2714	2715	2716	2717	2718	2719	2720	2721	2722	2723	2724	2725	2726	2727	2728	2729	2730	2731	2732	2733	2734	2735	2736	2737	2738	2739	2740	2741	2742	2743	2744	2745	2746	2747	2748	2749	2750	2751	2752	2753	2754	2755	2756	2757	2758	2759	2760	2761	2762	2763	2764	2765	2766	2767	2768	2769	2770	2771	2772	2773	2774	2775	2776	2777	2778	2779	2780	2781	2782	2783	2784	2785	2786	2787	2788	2789	2790	2791	2792	2793	2794	2795	2796	2797	2798	2799	2800	2801	2802	2803	2804	2805	2806	2807	2808	2809	2810	2811	2812	2813	2814	2815	2816	2817	2818	2819	2820	2821	2822	2823	2824	2825	2826	2827	2828	2829	2830	2831	2832	2833	2834	2835	2836	2837	2838	2839	2840	2841	2842	2843	2844	2845	2846	2847	2848	2849	2850	2851	2852	2853	2854	2855	2856	2857	2858	2859	2860	2861	2862	2863	2864	2865	2866	2867	2868	2869	2870	2871	2872	2873	2874	2875	2876	2877	2878	2879	2880	2881	2882	2883	2884	2885	2886	2887	2888	2889	2890	2891	2892	2893	2894	2895	2896	2897	2898	2899	2900	2901	2902	2903	2904	2905	2906	2907	2908	2909	2910	2911	2912	2913	2914	2915	2916	2917	2918	2919	2920	2921	2922	2923	2924	2925	2926	2927	2928	2929	2930	2931	2932	2933	2934	2935	2936	2937	2938	2939	2940	2941	2942	2943	2944	2945	2946	2947	2948	2949	2950	2951	2952	2953	2954	2955	2956	2957	2958	2959	2960	2961	2962	2963	2964	2965	2966	2967	2968	2969	2970	2971	2972	2973	2974	2975	2976	2977	2978	2979	2980	2981	2982	2983	2984	2985	2986	2987	2988	2989	2990	2991	2992	2993	2994	2995	2996	2997	2998	2999	3000
------	------	------	------	------	------	------	------	------	------	------	------	------	------	------	------	------	------	------	------	------	------	------	------	------	------	------	------	------	------	------	------	------	------	------	------	------	------	------	------	------	------	------	------	------	------	------	------	------	------	------	------	------	------	------	------	------	------	------	------	------	------	------	------	------	------	------	------	------	------	------	------	------	------	------	------	------	------	------	------	------	------	------	------	------	------	------	------	------	------	------	------	------	------	------	------	------	------	------	------	------	------	------	------	------	------	------	------	------	------	------	------	------	------	------	------	------	------	------	------	------	------	------	------	------	------	------	------	------	------	------	------	------	------	------	------	------	------	------	------	------	------	------	------	------	------	------	------	------	------	------	------	------	------	------	------	------	------	------	------	------	------	------	------	------	------	------	------	------	------	------	------	------	------	------	------	------	------	------	------	------	------	------	------	------	------	------	------	------	------	------	------	------	------	------	------	------	------	------	------	------	------	------	------	------	------	------	------	------	------	------	------	------	------	------	------	------	------	------	------	------	------	------	------	------	------	------	------	------	------	------	------	------	------	------	------	------	------	------	------	------	------	------	------	------	------	------	------	------	------	------	------	------	------	------	------	------	------	------	------	------	------	------	------	------	------	------	------	------	------	------	------	------	------	------	------	------	------	------	------	------	------	------	------	------	------	------	------	------	------	------	------	------	------	------	------	------	------	------	------	------	------	------	------	------	------	------	------	------	------	------	------	------	------	------	------	------	------	------	------	------	------	------	------	------	------	------	------	------	------	------	------	------	------	------	------	------	------	------	------	------	------	------	------	------	------	------	------	------	------	------	------	------	------	------	------	------	------	------	------	------	------	------	------	------	------	------	------	------	------	------	------	------	------	------	------	------	------	------	------	------	------	------	------	------	------	------	------	------	------	------	------	------	------	------	------	------	------	------	------	------	------	------	------	------	------	------	------	------	------	------	------	------	------	------	------	------	------	------	------	------	------	------	------	------	------	------	------	------	------	------	------	------	------	------	------	------	------	------	------	------	------	------	------	------	------	------	------	------	------	------	------	------	------	------	------	------	------	------	------	------	------	------	------	------	------	------	------	------	------	------	------	------	------	------	------	------	------	------	------	------	------	------	------	------	------	------	------	------	------	------	------	------	------	------	------	------	------	------	------	------	------	------	------	------	------	------	------	------	------	------	------	------	------	------	------	------	------	------	------	------	------	------	------	------	------	------	------	------	------	------	------	------	------	------	------	------	------	------	------	------	------	------	------	------	------	------	------	------	------	------	------	------	------	------	------	------	------	------	------	------	------	------	------	------	------	------	------	------	------	------	------

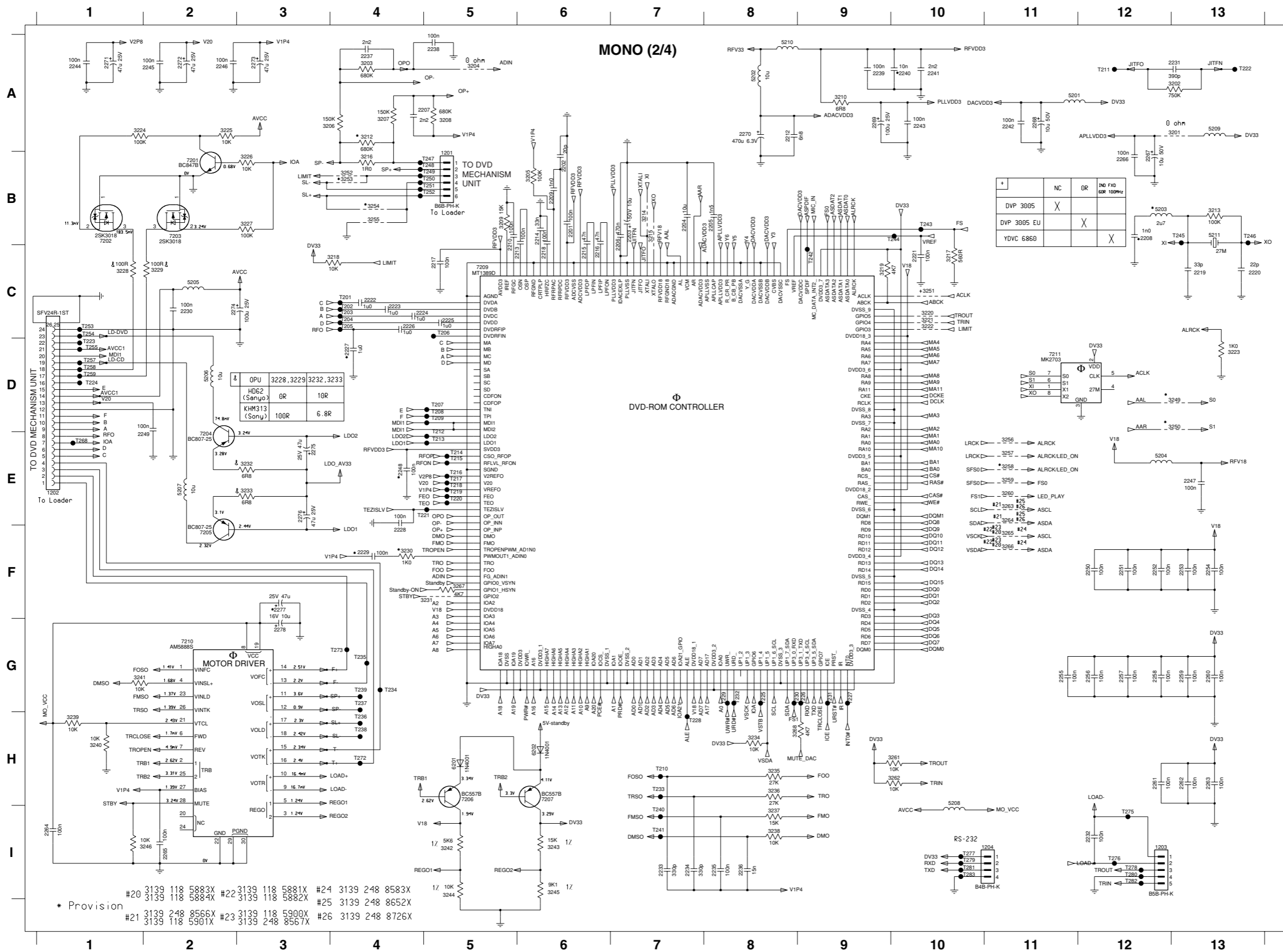
SCHEMATIC DIAGRAMS

FOR INFORMATION ONLY (NO REPLACEMENT PARTS WILL BE AVAILABLE)



1 2 3 4 5 6 7 8 9 10 11 12 13 14
 A B C D E F G H I

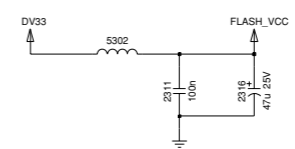
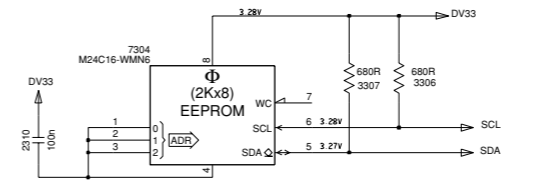
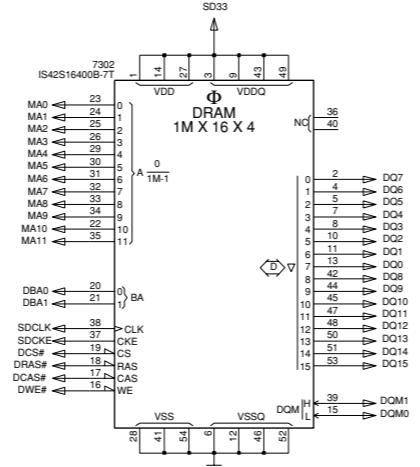
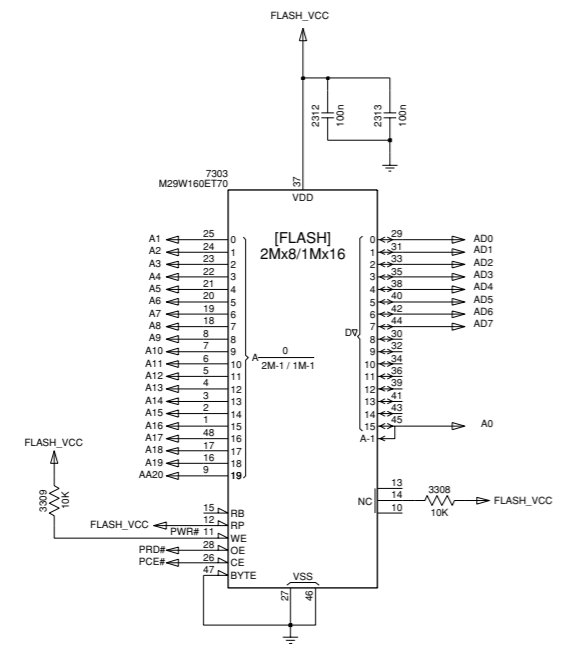
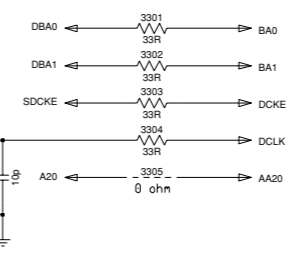
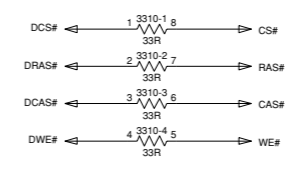
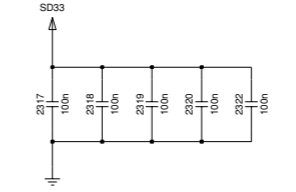
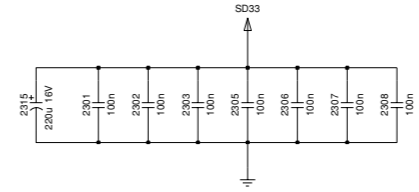
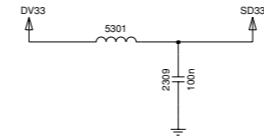
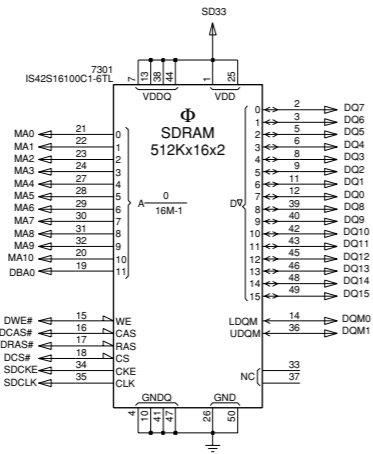
* Components having special characteristics are marked Δ and must be replaced with parts having specifications equal to those originally installed.
 * Schematic diagram is subject to change without notice.



1201 B5	3236 H8	T275 H12
1202 E1	3237 I8	T276 H12
1203 H2	3238 I8	T277 H10
1204 H1	3239 H1	T278 H12
2201 B6	3240 H1	T279 H10
2202 B6	3241 G1	T280 H12
2203 B7	3242 I5	T281 H10
2204 B7	3243 I6	T282 H12
2205 B8	3244 I5	T283 H10
2206 B7	3245 I6	
2207 A5	3246 I2	
2208 B12	3249 D13	
2209 B6	3250 D13	
2210 B5	3251 C10	
2212 A8	3252 B4	
2213 C6	3253 B4	
2214 B6	3254 B4	
2215 C6	3255 B4	
2216 C6	3256 E11	
2217 C5	3257 E11	
2218 C6	3258 E11	
2219 C13	3259 E11	
2220 C13	3260 E11	
2221 C10	3261 H10	
2222 C4	3262 H10	
2223 C4	3263 E11	
2224 C4	3264 E11	
2225 C5	3265 F11	
2226 C4	3266 F11	
2227 D4	3267 F5	
2228 F4	3268 H8	
2229 F4	5201 A11	
2230 C2	5202 A8	
2231 A13	5203 B12	
2232 H2	5204 E12	
2233 I7	5205 C2	
2234 I7	5206 D2	
2235 I8	5207 E2	
2236 I8	5208 H10	
2237 A4	5209 A13	
2238 A5	5210 A8	
2239 A9	5211 B3	
2240 A10	6201 H5	
2241 A10	6202 H6	
2242 A11	7201 B2	
2243 A10	7202 B1	
2244 A1	7203 B2	
2245 A2	7204 E2	
2246 A2	7205 F2	
2247 E13	7206 H5	
2248 E4	7207 H6	
2249 E2	7209 C5	
2250 F12	7210 G2	
2251 F12	7211 D11	
2252 F12	T201 C4	
2253 F13	T202 C4	
2254 F13	T203 C4	
2255 G11	T204 C4	
2256 G12	T205 C4	
2257 G12	T206 C5	
2258 G12	T207 D5	
2259 G13	T208 D5	
2260 G13	T209 D5	
2261 H12	T210 H7	
2262 H13	T211 A12	
2263 H13	T212 D5	
2264 I1	T213 E5	
2265 I2	T214 E5	
2266 B12	T215 E5	
2267 B12	T216 E5	
2268 A11	T217 E5	
2269 A9	T218 E5	
2270 A8	T219 E5	
2271 A1	T220 E5	
2272 A2	T221 E4	
2273 A3	T222 A13	
2274 C2	T223 D1	
2275 E3	T224 D1	
2276 E3	T225 G8	
2277 F3	T226 G9	
2278 G3	T227 G9	
3201 A13	T228 H7	
3202 A13	T229 H8	
3203 A4	T230 G8	
3204 A5	T231 G9	
3205 B6	T232 H8	
3206 A3	T233 H7	
3207 A4	T234 G4	
3208 A5	T235 G4	
3209 B5	T236 H4	
3210 A9	T237 G4	
3212 A4	T238 H4	
3213 B13	T239 G4	
3214 B7	T240 I7	
3215 B7	T241 I7	
3216 B4	T242 C9	
3217 C10	T243 B10	
3218 C4	T244 B10	
3219 C9	T245 B13	
3220 C10	T246 B13	
3221 C10	T247 B5	
3222 C10	T248 B5	
3223 D13	T249 B5	
3224 A1	T250 B5	
3225 A2	T251 B5	
3226 B3	T252 B5	
3227 B3	T253 C1	
3228 C1	T254 C1	
3229 C2	T255 D1	
3230 F4	T257 D1	
3231 F5	T258 D1	
3232 E3	T259 D1	
3233 E3	T268 E1	
3234 H8	T272 H4	
3235 H8	T273 G4	

* Components having special characteristics are marked Δ and must be replaced with parts having specifications equal to those originally installed.
 * Schematic diagram is subject to change without notice.

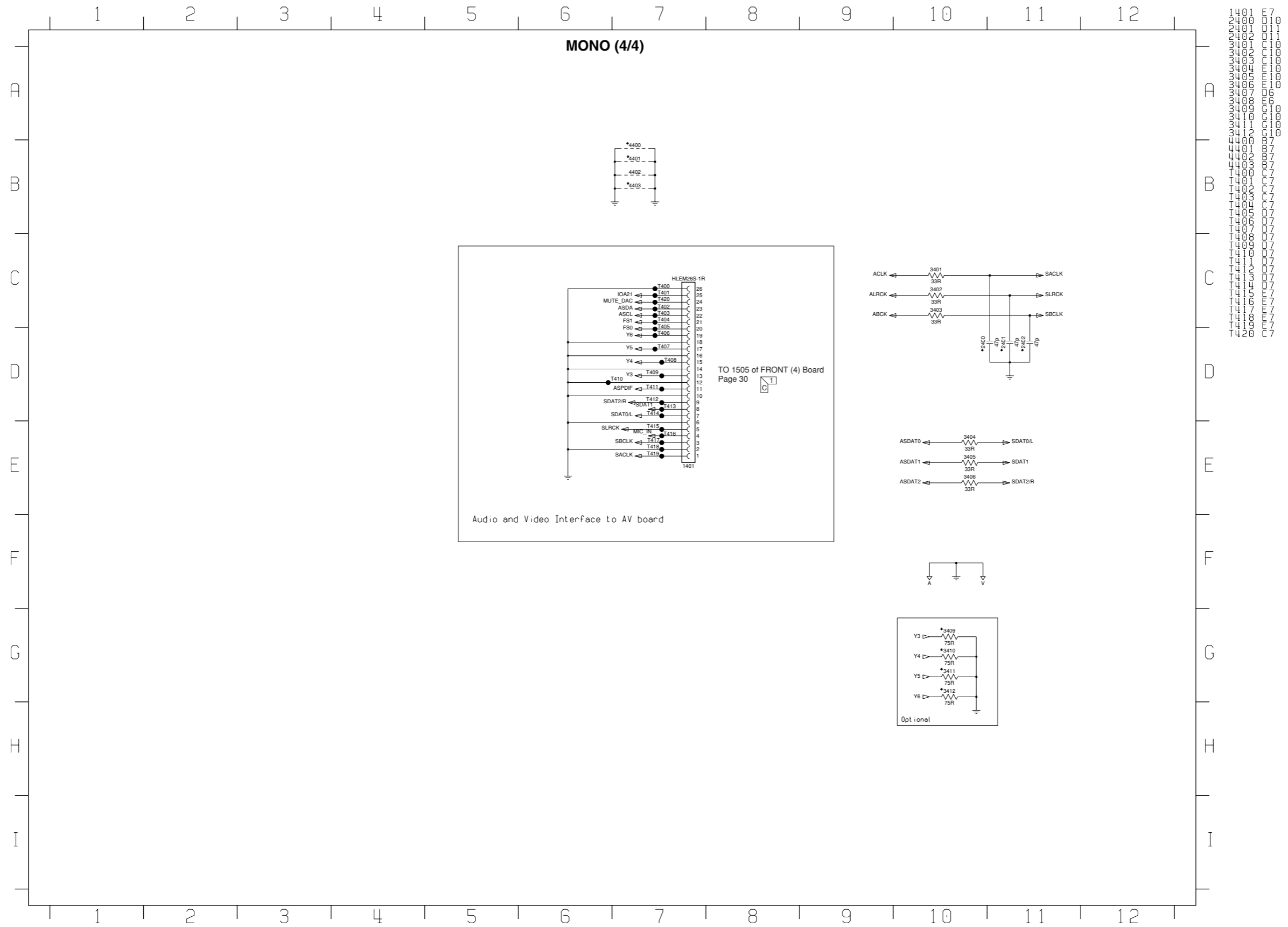
MONO (3/4)



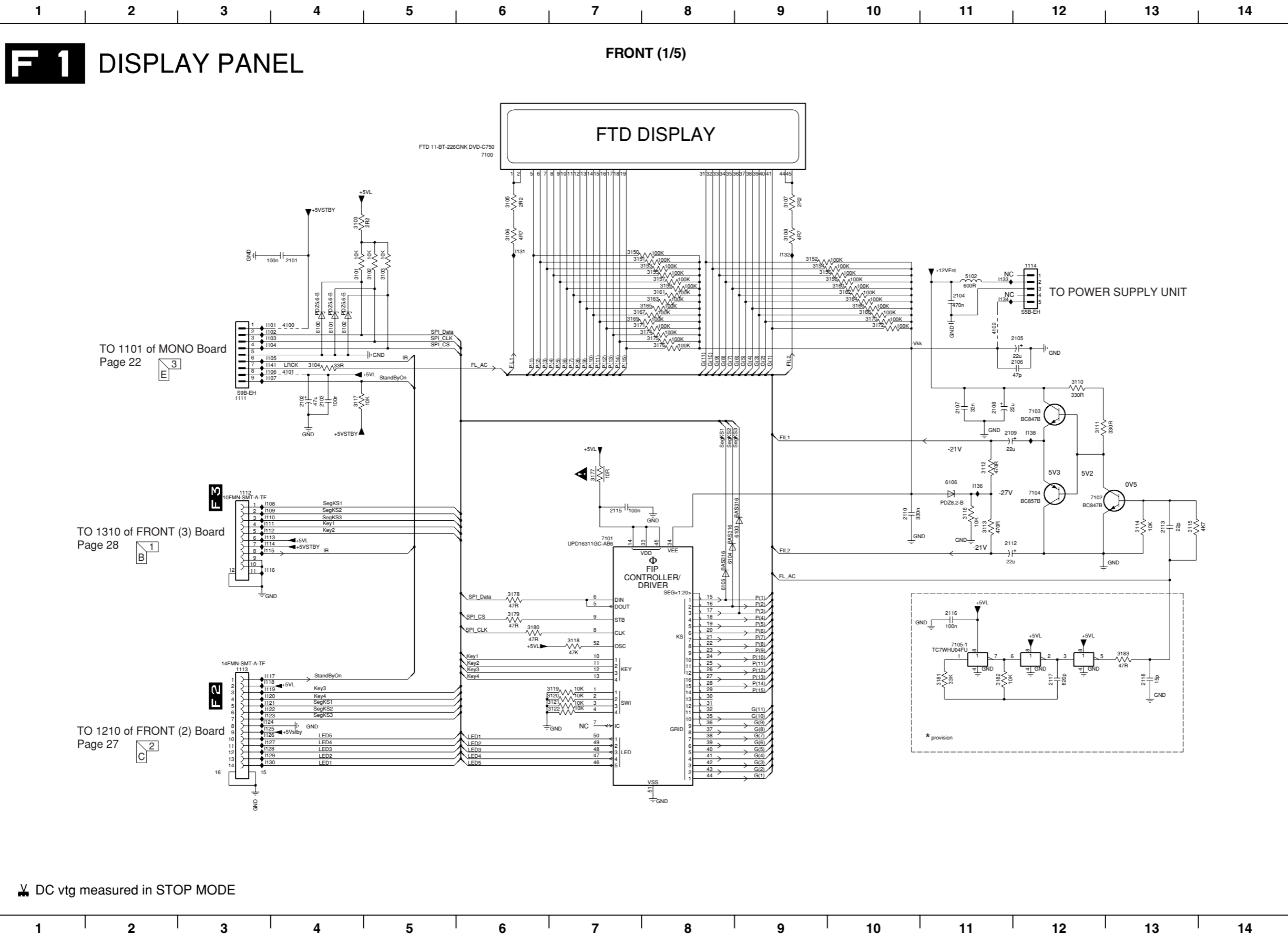
* Provision #0 32M Flash Only

7301 IS42S16100C1-6TL SDRAM 512Kx16x2
 7302 IS42S16400B-7T DRAM 1M X 16 X 4
 7303 M29W160ET70 [FLASH] 2Mx8/1Mx16
 7304 M24C16-WMN6 EEPROM (2Kx8)
 5301 Inductor
 5302 Inductor
 2301-2322 Resistors
 3301-3304 Resistors
 3307, 3306 Resistors

* Components having special characteristics are marked Δ and must be replaced with parts having specifications equal to those originally installed.
 * Schematic diagram is subject to change without notice.



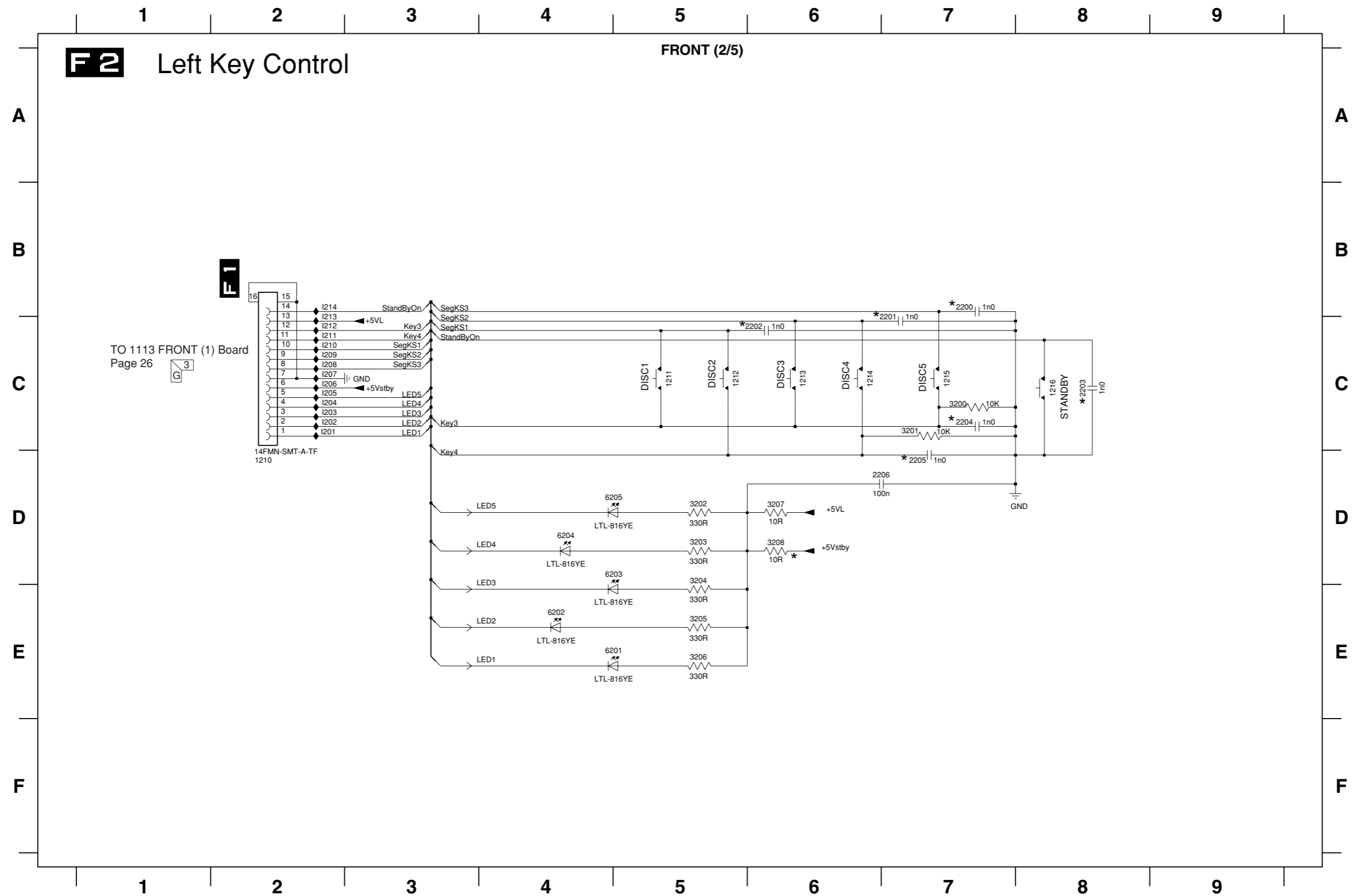
* Components having special characteristics are marked Δ and must be replaced with parts having specifications equal to those originally installed.
* Schematic diagram is subject to change without notice.



- 1111 D3
- 1112 E3
- 1113 G3
- 1114 C12
- 2101 C4
- 2102 D4
- 2103 D4
- 2104 C11
- 2105 D12
- 2106 D12
- 2107 D11
- 2108 D11
- 2109 E11
- 2110 E10
- 2112 F11
- 2113 F13
- 2115 E7
- 2116 G11
- 2117 G12
- 2118 G13
- 3100 B4
- 3101 C4
- 3102 C5
- 3103 C5
- 3104 D4
- 3105 B6
- 3106 B6
- 3107 B9
- 3108 B9
- 3110 D12
- 3111 E12
- 3112 E11
- 3113 F11
- 3114 F13
- 3115 E11
- 3117 D4
- 3118 G7
- 3119 G7
- 3120 G7
- 3121 H7
- 3122 H7
- 3150 C7
- 3152 C9
- 3153 C8
- 3154 C9
- 3155 C8
- 3156 C9
- 3157 C8
- 3158 C10
- 3159 C8
- 3160 C10
- 3161 C8
- 3162 C10
- 3163 C8
- 3164 C10
- 3165 C8
- 3166 C10
- 3167 C7
- 3168 C10
- 3169 C7
- 3170 C10
- 3171 C7
- 3172 C10
- 3174 D8
- 3175 D8
- 3176 D8
- 3177 E7
- 3178 F6
- 3179 G6
- 3180 G6
- 3181 G11
- 3182 G11
- 3183 G13
- 4100 C4
- 4101 D4
- 4102 C11
- 5102 C11
- 6100 C4
- 6101 C4
- 6102 C4
- 6103 F9
- 6104 F8
- 6105 F8
- 6106 E11
- 7100 B6
- 7101 F7
- 7102 E12
- 7103 D12
- 7104 E12
- 7105-1 G11
- I101 C4
- I102 D4
- I103 D4
- I104 D4
- I105 D4
- I106 D4
- I107 D4
- I108 E3
- I109 E3
- I110 F3
- I111 F3
- I112 F3
- I113 F3
- I114 F3
- I115 F3
- I116 F3
- I117 G3
- I118 G3
- I119 G3
- I120 G3
- I121 H3
- I122 H3

DC vtg measured in STOP MODE

* Components having special characteristics are marked Δ and must be replaced with parts having specifications equal to those originally installed.
 * Schematic diagram is subject to change without notice.

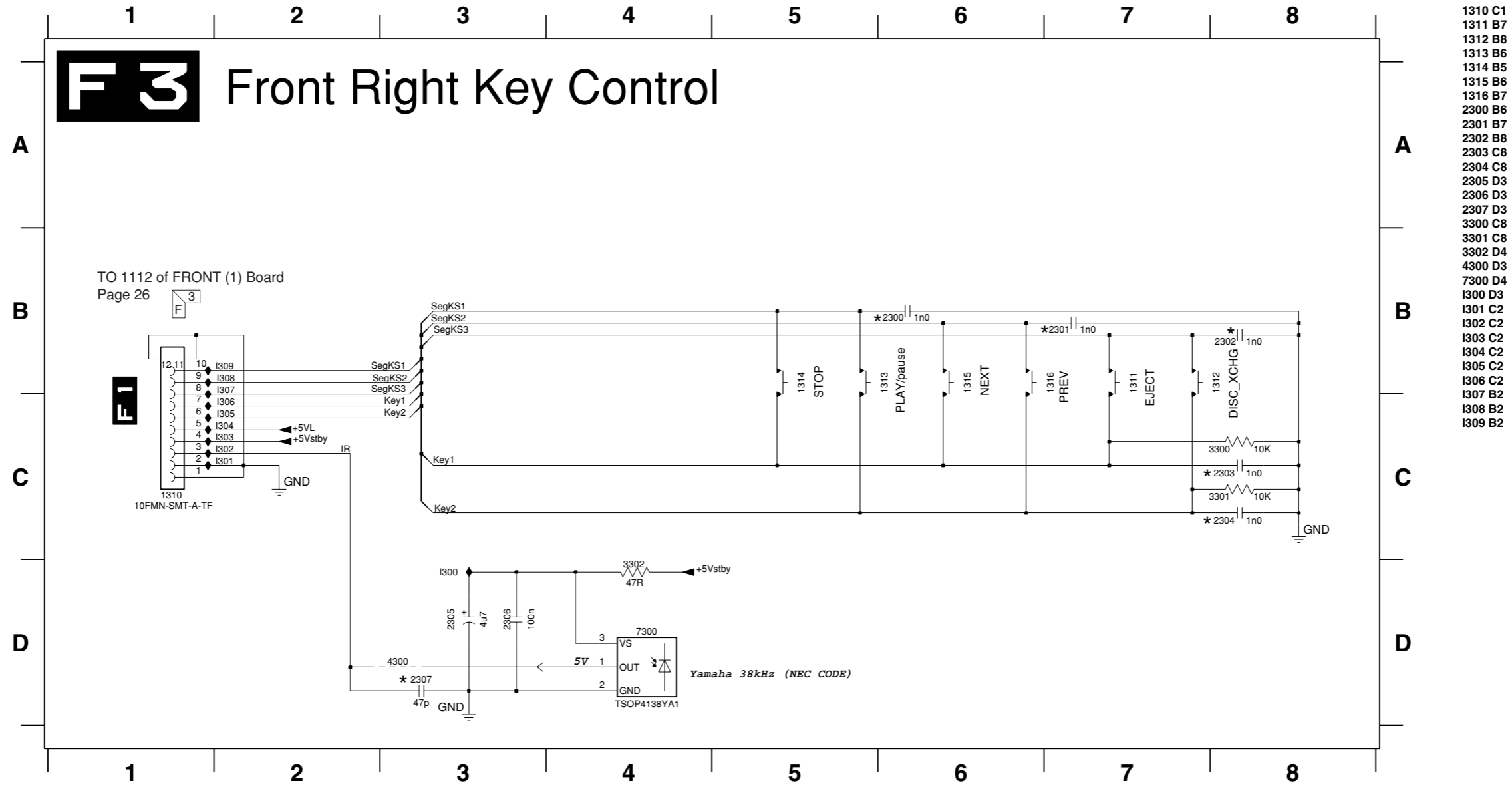


- 1210 D2
- 1211 C5
- 1212 C5
- 1213 C6
- 1214 C6
- 1215 C7
- 1216 C8
- 2201 C7
- 2202 C6
- 2203 C8
- 2204 C7
- 2205 D7
- 2206 D6
- 3200 C7
- 3201 C7
- 3202 D5
- 3203 D5
- 3204 D5
- 3205 E5
- 3206 E5
- 3207 D6
- 3208 D6
- 6201 E5
- 6202 E4
- 6203 D5
- 6204 D4
- 6205 D5
- I201 B2
- I202 B2
- I203 C2
- I204 C2
- I205 C2
- I206 C2
- I207 C2
- I208 C2
- I209 C2
- I210 C2
- I211 C2
- I212 C2
- I213 C2
- I214 C2

* Not Used

* Components having special characteristics are marked Δ and must be replaced with parts having specifications equal to those originally installed.
* Schematic diagram is subject to change without notice.

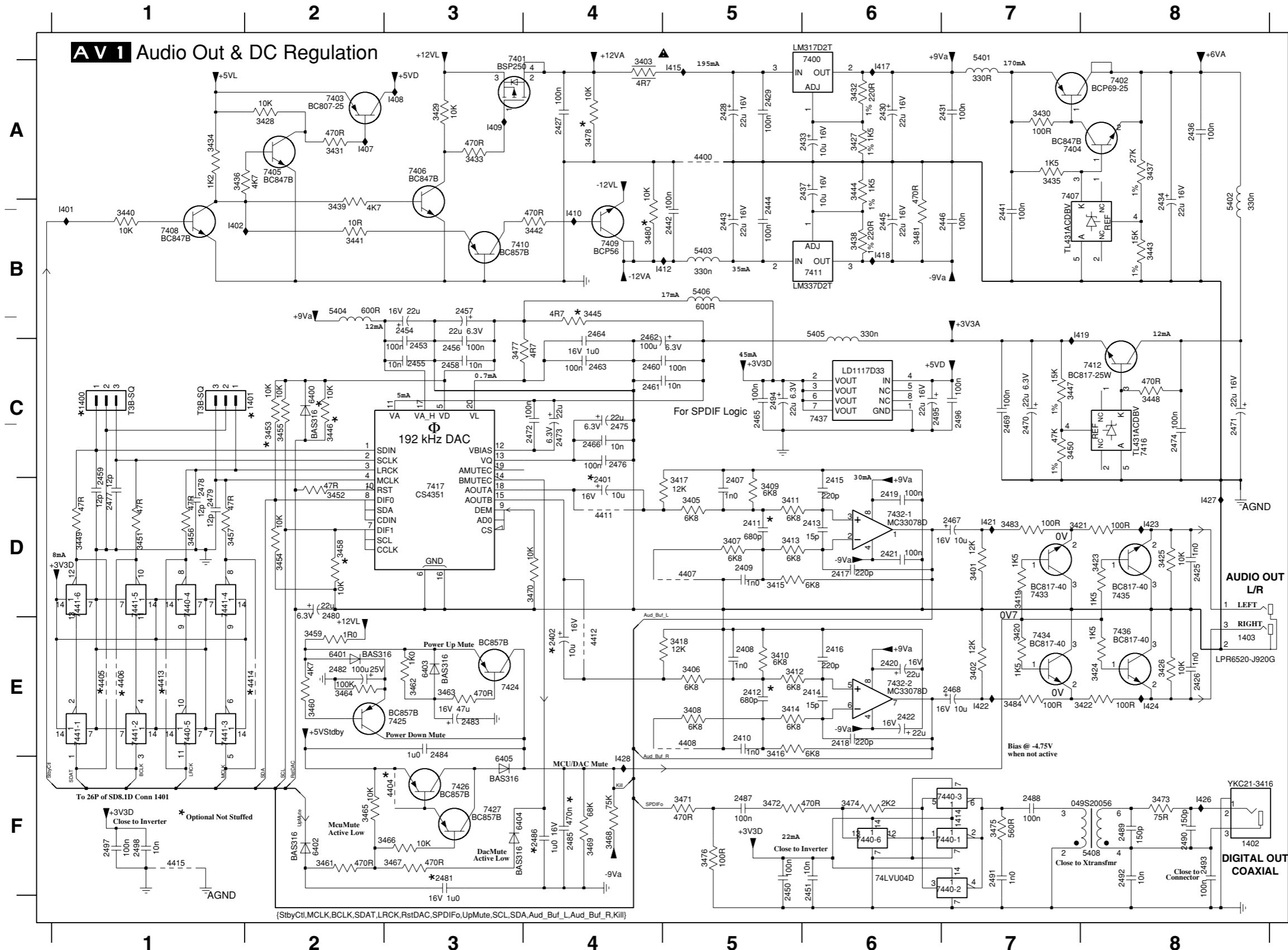
FRONT (3/5)



* OPTIONAL

* Components having special characteristics are marked Δ and must be replaced with parts having specifications equal to those originally installed.
* Schematic diagram is subject to change without notice.

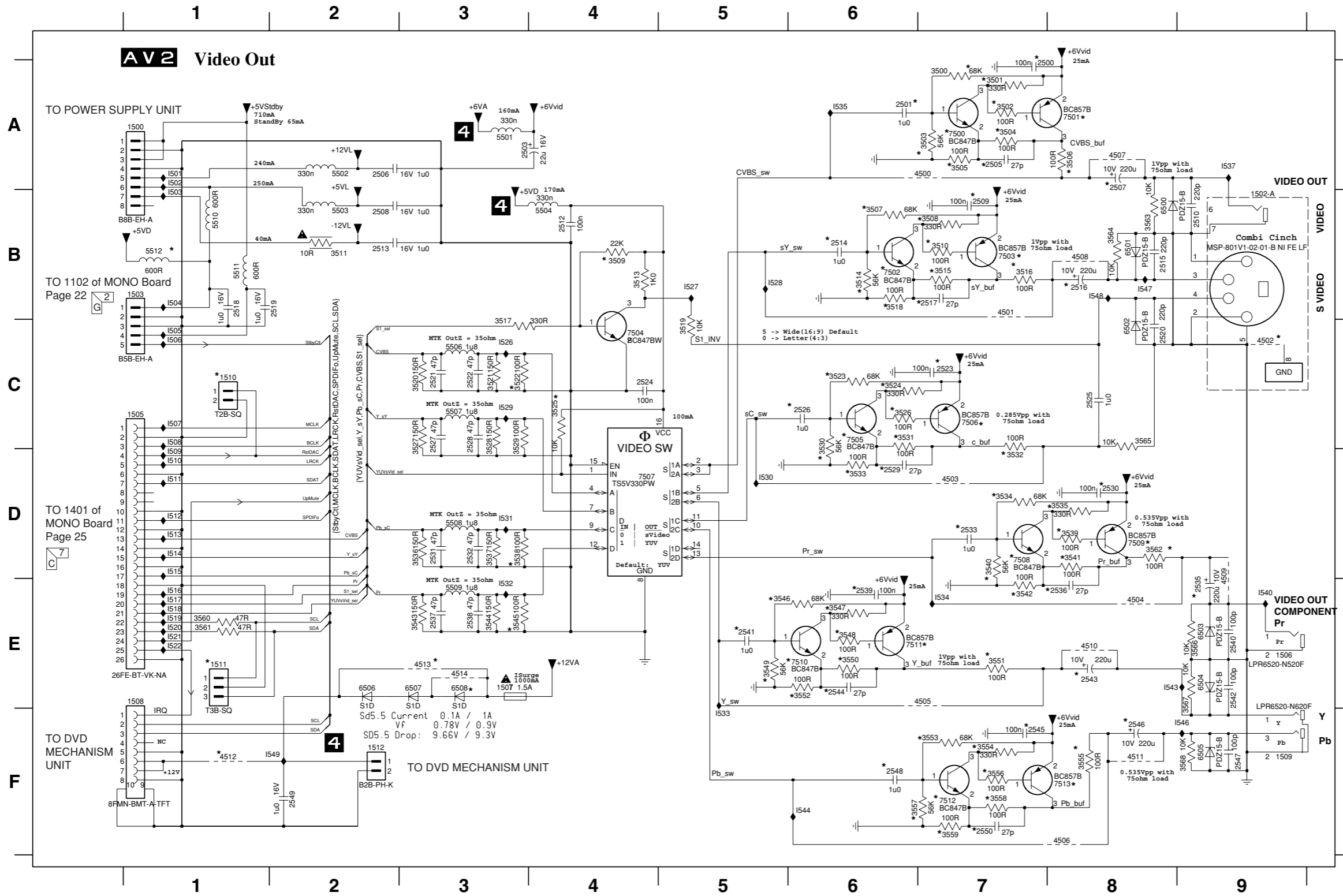
FRONT (4/5)



1400 C1	2492 F8	3475 F7	1419 B8
1401 C2	2493 F8	3476 F5	1421 D7
1402 F8	2494 C5	3477 C3	1422 E7
1403 E8	2495 C6	3478 A4	1423 D8
2401 D4	2496 C7	3480 B4	1424 E8
2402 E4	2497 F1	3481 B6	1426 F8
2407 C5	2498 F1	3483 D7	1427 D8
2408 E5	3401 D7	3484 E7	1428 F4
2409 D5	3402 E7	4400 A5	
2410 E5	3403 A4	4404 F3	
2411 D5	3405 D5	4405 E1	
2412 E5	3406 E5	4406 E1	
2413 D6	3407 D5	4407 D5	
2414 E6	3408 E5	4408 E5	
2415 C6	3409 D5	4411 D4	
2416 E6	3410 E5	4412 E4	
2417 D6	3411 D5	4413 E1	
2418 E6	3412 E5	4414 E2	
2419 D6	3413 D5	4415 F1	
2420 E6	3414 E5	5401 A7	
2421 D6	3415 D5	5402 B8	
2422 E6	3416 F5	5403 B5	
2425 D8	3417 C5	5404 B2	
2426 E8	3418 E5	5405 B6	
2427 A4	3419 D7	5406 B5	
2428 A5	3420 E7	5408 F8	
2429 A5	3421 D7	6400 C2	
2430 A6	3422 E8	6401 E2	
2431 A7	3423 D8	6402 F2	
2433 A6	3424 E8	6403 E3	
2434 B8	3425 D8	6404 F3	
2436 A8	3426 E8	6405 F3	
2437 A6	3427 A6	7400 A6	
2441 B7	3428 A2	7401 A4	
2442 B5	3429 A3	7402 A8	
2443 B5	3430 A7	7403 A2	
2444 B5	3431 A2	7404 A8	
2445 B6	3432 A6	7405 A2	
2446 B7	3433 A3	7406 A3	
2450 F5	3434 A1	7407 A7	
2451 F6	3435 A7	7408 B1	
2453 C3	3436 A1	7409 B4	
2454 B3	3437 A8	7410 B4	
2455 C3	3438 B6	7411 B6	
2456 C3	3439 B2	7412 C8	
2457 B3	3440 B1	7416 C8	
2458 C3	3441 B2	7417 D3	
2459 C1	3442 B4	7424 E3	
2460 C4	3443 B8	7425 E3	
2461 C4	3444 A6	7426 F3	
2462 C4	3445 B4	7427 F3	
2463 C4	3446 C2	7432-1 D6	
2464 B4	3447 C7	7432-2 E6	
2465 C5	3448 C8	7433 D7	
2466 C4	3449 D1	7434 E7	
2467 D7	3450 C7	7435 D8	
2468 E7	3451 D1	7436 E8	
2469 C7	3452 D2	7437 C6	
2470 C7	3453 C2	7440-1 F7	
2471 C8	3454 D2	7440-2 F7	
2472 C4	3455 C2	7440-3 F7	
2473 C4	3456 D1	7440-4 D1	
2474 C8	3457 D1	7440-5 E1	
2475 C4	3458 D2	7440-6 F6	
2476 C4	3459 E2	7441-1 E1	
2477 D1	3460 E2	7441-2 E1	
2478 D1	3461 F2	7441-3 E1	
2479 D1	3462 E3	7441-4 D1	
2480 E2	3463 E3	7441-5 D1	
2481 F3	3464 E2	7441-6 D1	
2482 E2	3465 F2	1401 B1	
2483 E3	3466 F3	1402 B1	
2484 F3	3467 F3	1407 A2	
2485 F4	3468 F4	1408 A3	
2486 F4	3469 F4	1409 A3	
2487 F5	3470 D4	1410 B4	
2488 F7	3471 F5	1412 B5	
2489 F8	3472 F5	1415 A5	
2490 F8	3473 F8	1417 A6	
2491 F7	3474 F6	1418 B6	

* Components having special characteristics are marked Δ and must be replaced with parts having specifications equal to those originally installed.
 * Schematic diagram is subject to change without notice.

FRONT (5/5)




1500 A1	3520 C3	6502 C8
1502-A B9	3521 C3	6503 E9
1503 B1	3522 C3	6504 E9
1505 C1	3523 C6	6505 F9
1506 E9	3524 C6	6506 E2
1507 E3	3525 C4	6507 E3
1508 E1	3526 C6	6508 E3
1509 F9	3527 C3	7500 A7
1510 C1	3528 C3	7501 A8
1511 E1	3529 C3	7502 B6
1512 F2	3530 C6	7503 B7
2500 A7	3531 C6	7504 C4
2501 A6	3532 D7	7505 C6
2503 A3	3533 D6	7506 C7
2505 A7	3534 D7	7507 D4
2506 A2	3535 D8	7508 D7
2507 B8	3536 D3	7509 D8
2508 B2	3537 D3	7510 E6
2509 B7	3538 D3	7511 E6
2510 B9	3539 D8	7512 F7
2512 B4	3540 D7	7513 F8
2513 B2	3541 D8	I501 A1
2514 B6	3542 E7	I502 A1
2515 B8	3543 E3	I503 B1
2516 B8	3544 E3	I504 B1
2517 B7	3545 E3	I505 C1
2518 B1	3546 E5	I506 C1
2519 B2	3547 E6	I507 C1
2520 C8	3548 E6	I508 C1
2521 C3	3549 E5	I509 D1
2522 C3	3550 E6	I510 D1
2523 C7	3551 E7	I511 D1
2524 C4	3552 E6	I512 D1
2525 C8	3553 F7	I513 D1
2526 C6	3554 F7	I514 D1
2527 C3	3555 F8	I515 D1
2528 C3	3556 F7	I516 E1
2529 D6	3557 F6	I517 E1
2530 D8	3558 F7	I518 E1
2531 D3	3559 F7	I519 E1
2532 D3	3560 E1	I520 E1
2533 D7	3561 E1	I521 E1
2535 E9	3562 D8	I522 E1
2536 E8	3563 B8	I526 C3
2537 E3	3564 B8	I527 B5
2538 E3	3565 C8	I528 B5
2539 E6	3566 E9	I529 C3
2540 E9	3567 E9	I530 D5
2541 E5	3568 F9	I531 D3
2542 E9	4500 A7	I532 E3
2543 E8	4501 B7	I533 F5
2544 E6	4502 C9	I534 E7
2545 F7	4503 D7	I535 A6
2546 F8	4504 E8	I537 A9
2547 F9	4505 E7	I540 E9
2548 F6	4506 F8	I543 E8
2549 F2	4507 A8	I544 F6
2550 F7	4508 B8	I546 F9
3500 A7	4509 D9	I547 B9
3501 A7	4510 E8	I548 B8
3502 A7	4511 F8	I549 F2
3503 A7	4512 F1	
3504 A7	4513 E3	
3505 A7	4514 E3	
3506 A8	5501 A3	
3507 B6	5502 A2	
3508 B7	5503 B2	
3509 B4	5504 B4	
3510 B7	5506 C3	
3511 B2	5507 C3	
3513 B4	5508 D3	
3514 B6	5509 E3	
3515 B7	5510 B1	
3516 B7	5511 B1	
3517 B3	5512 B1	
3518 B6	6500 B8	
3519 C5	6501 B8	


* Components having special characteristics are marked Δ and must be replaced with parts having specifications equal to those originally installed.
* Schematic diagram is subject to change without notice.

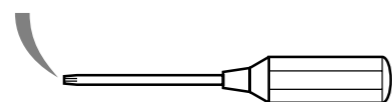
REPLACEMENT PARTS LIST

EXPLODED VIEW

When disassembling, use the special screw driver with tip shape in figure.

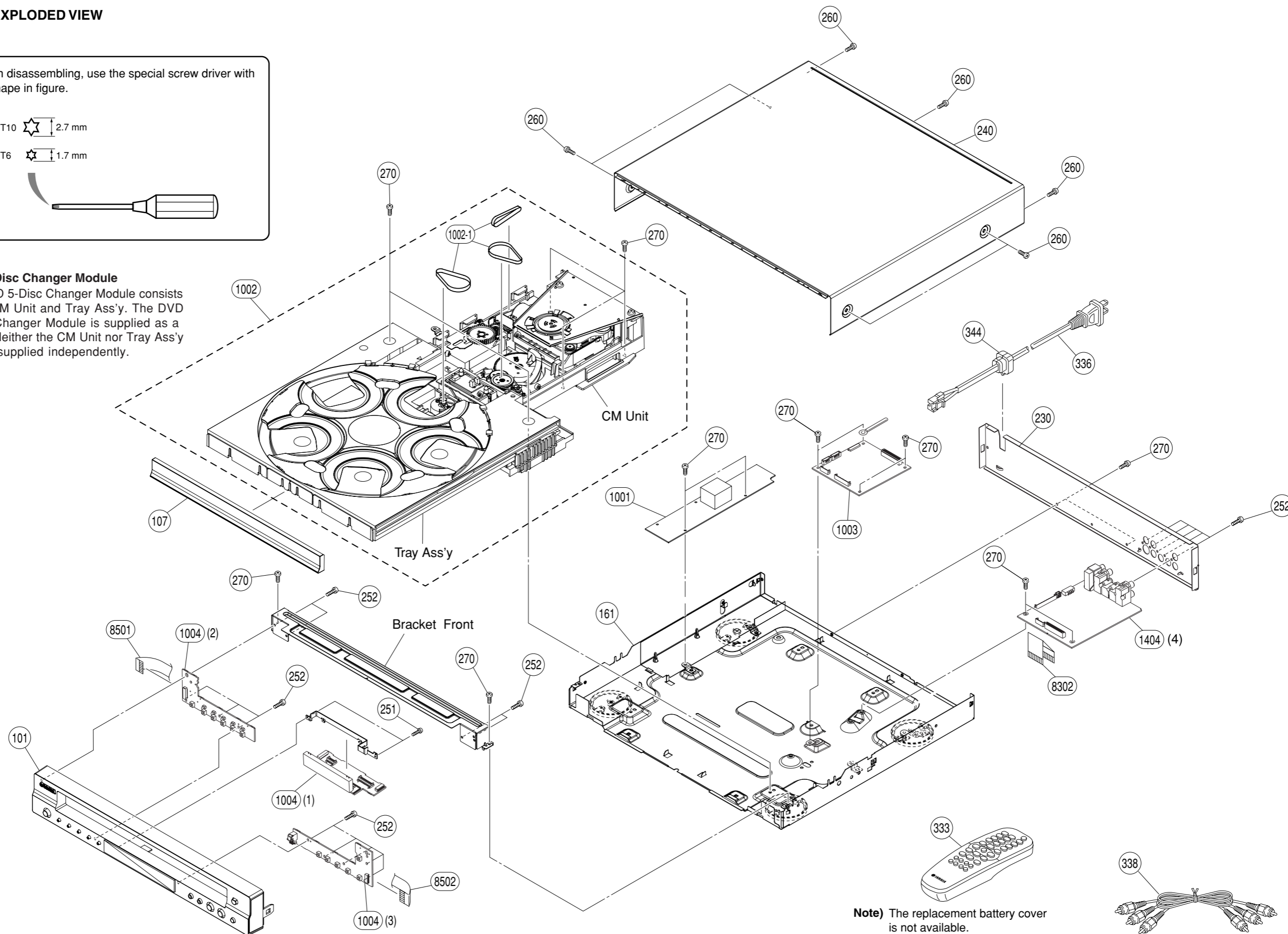
T10  2.7 mm

T6  1.7 mm



DVD 5-Disc Changer Module

The DVD 5-Disc Changer Module consists of the CM Unit and Tray Ass'y. The DVD 5-Disc Changer Module is supplied as a whole. Neither the CM Unit nor Tray Ass'y can be supplied independently.



Note) The replacement battery cover is not available.

● REPLACEMENT PARTS LIST

Ref. No.	Part No.	Description	Remarks	Markets
* 101	AAX76560	FRONT PANEL ASS'Y	BL	3141 079 34811
* 101	AAX76550	FRONT PANEL ASS'Y	SI	3141 079 34801
* 107	AAX76510	TRAY COVER	BL	3139 244 09781
* 107	AAX76520	TRAY COVER	SI	3139 244 10071
* 161	AAX76540	FRAME ASS'Y	BL	3141 079 34831
* 161	AAX76530	FRAME ASS'Y	SI	3141 079 34821
* 230	AAX76570	REAR PANEL		3139 241 23731
240	AAX59320	TOP COVER	BL	3139 241 22041
240	AAX59330	TOP COVER	SI	3139 241 22201
* 251	AAX59360	PAN HEAD TORX S-TIGHT SCREW	2x8 MFZN2BL	2511 076 50003
252	AAX53520	PAN HEAD TORX P-TIGHT SCREW	3x8 MFZN2BL	2511 076 50012
260	AAX23640	PAN HEAD TORX S-TIGHT SCREW	BL 3x6 MFZN2BL	2511 077 00039
260	AAX23650	PAN HEAD TORX S-TIGHT SCREW	SI 3x6 MFN133	2511 077 01039
270	AAX23640	PAN HEAD TORX S-TIGHT SCREW	3x6 MFZN2BL	2511 077 00039
△ 336	AAX47750	POWER CABLE	1.8m	2422 070 98235
344	AAX53540	BUSH	450H259010	3139 114 26671
△ * 1001	AAX76590	POWER SUPPLY UNIT	05P15	3139 247 12181
* 1002	AAX76450	DVD 5-DISC CHANGER MODULE	SD5.5	3139 247 12371
1002-1	VQ776900	BELT	V	
* 1003	AAX76460	P.C.B. ASS'Y	MONO SD8.1D 2C	3139 248 86521
* 1004	AAX76470	P.C.B. ASS'Y	FRONT	3139 248 87251
* 8302	AAX76500	FLEXIBLE FLAT CABLE	26P 60mm P=1mm	3139 241 01791
* 8501	AAX76490	FLEXIBLE FLAT CABLE	14P 220mm P=1mm	3139 241 01031
* 8502	AAX76480	FLEXIBLE FLAT CABLE	10P 220mm P=1mm	3139 110 35471
		ACCESSORIES		
* 333	AAX76580	REMOTE CONTROL	RC19133015/01	3139 238 12421
338	AAX23450	AUDIO/VIDEO CABLE BATTERY	YE/RD/WH 1.5m 1pc UM-3 2pcs	2422 076 00304

* New Parts

DV-C6860

YAMAHA